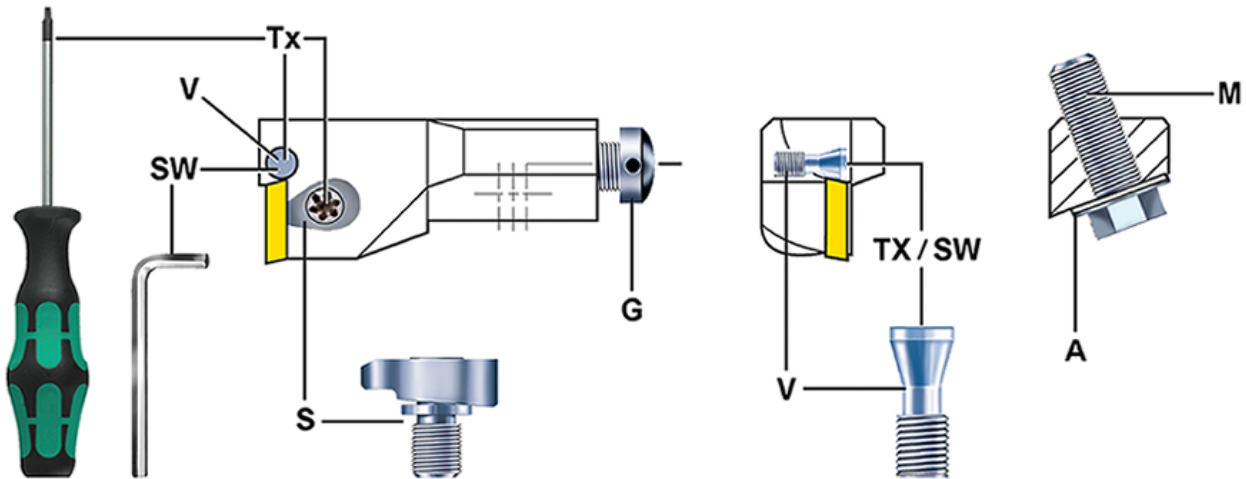




Cartridges

with tapered screw adjustment, µm-accurate adjustable

Spare Parts



- S** Clamping set
- Tx** Torx-screw driver (for operating clamping and adjustment screw)
- V** Adjustment screw (tapered screw)
- SW** Hexagon socket screw key
- M** Fastening screw
- G** Axial adjustment screw
- A** Disk

Please note: Clamping set S contains:

1 Clamping element, 1 Retainer ring, 1 Clamping screw

| Tool | S | Tx | V | Tx / SW | G | M | A |
|----------------------|--------|-------|--------|---------|----------|----------|----------|
| H 1035-2088 0890 R | E 1100 | Tx 5 | E 3007 | Tx 5 | E 2611-1 | E 2613-1 | E 2619-2 |
| H 1035-2088 0890 L | E 1120 | Tx 5 | | | | | |
| CBFP R/L 06 CA-04 | | | | | | | |
| H 2850-2588 1090 R/L | E 1112 | Tx 6 | E 2986 | Tx 6 | E 2611-2 | E 2613-2 | E 2619-2 |
| CBFP R/L 08 CA-05 | | | | | | | |
| H 3570-3088 1290 R/L | E 1060 | Tx 8 | E 3093 | SW 1.3 | E 2611-2 | E 2613-2 | E 2619-2 |
| CBFP R/L 08 CA-07 | | | | | | | |
| H 4090-3588 1490 R/L | E 1040 | Tx 15 | E 2997 | SW 1.5 | E 2611-3 | E 2613-3 | E 2619-3 |
| CBFP R/L 10 CA-09 | | | | | | | |

We reserve the right to make technical changes.