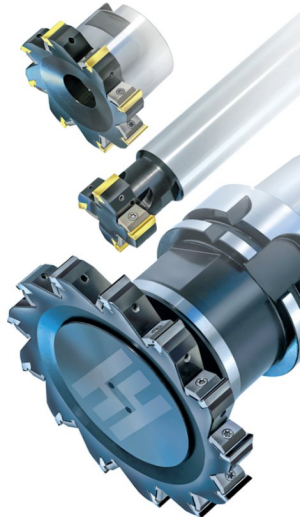
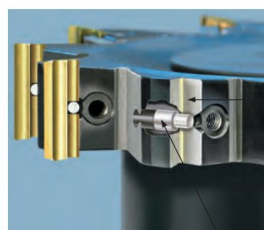


H Milling Cutters

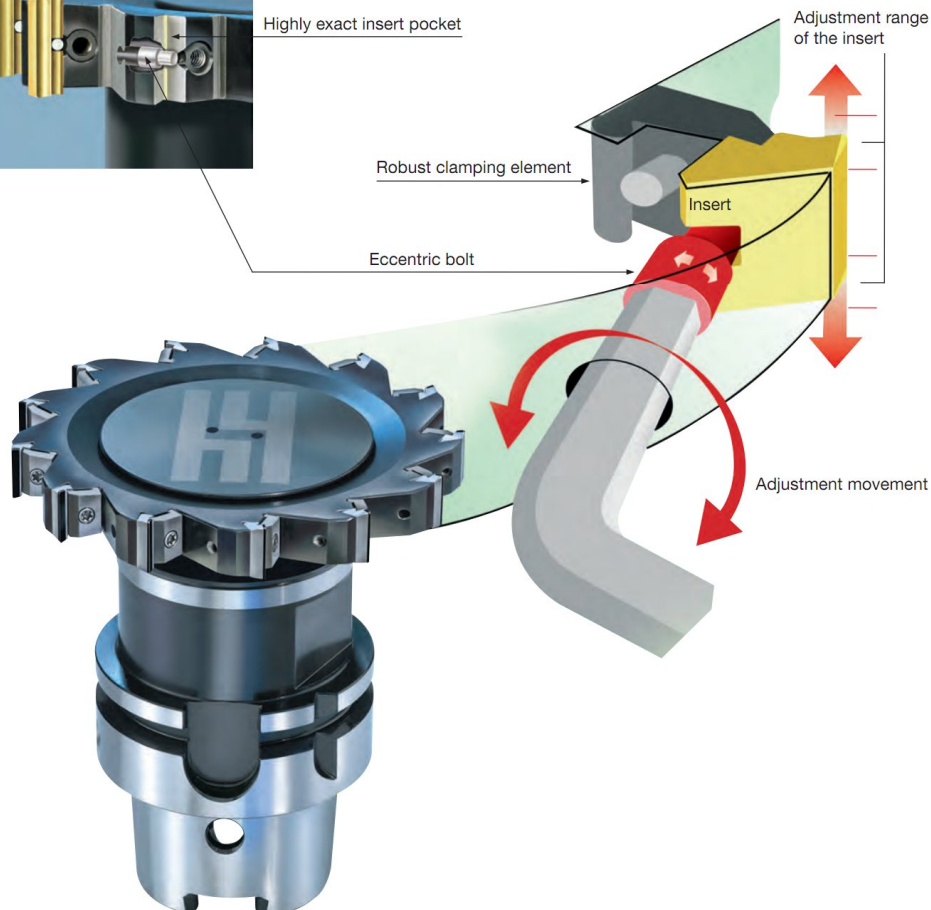
HOLLFELDER-GÜHRING CUTTING TOOLS offers the possibility to adjust all inserts of the milling cutter to an exact measure or rather the exact position of the inserts to each other by means of the eccentric adjustment. This system can be applied on the most different materials and impresses with good handling and reliable tension of the cutting edges.



- Highly exact insert pocket to hold the insert, max. runout 0.03 mm.
- Precision ground insert applicable in right hand as well as in left hand tools
- Eccentric bolt for μm -accurate axial adjustment
- Extremely high number of inserts
- Large clamping element



The eccentric adjustment



We reserve the right to make technical changes.