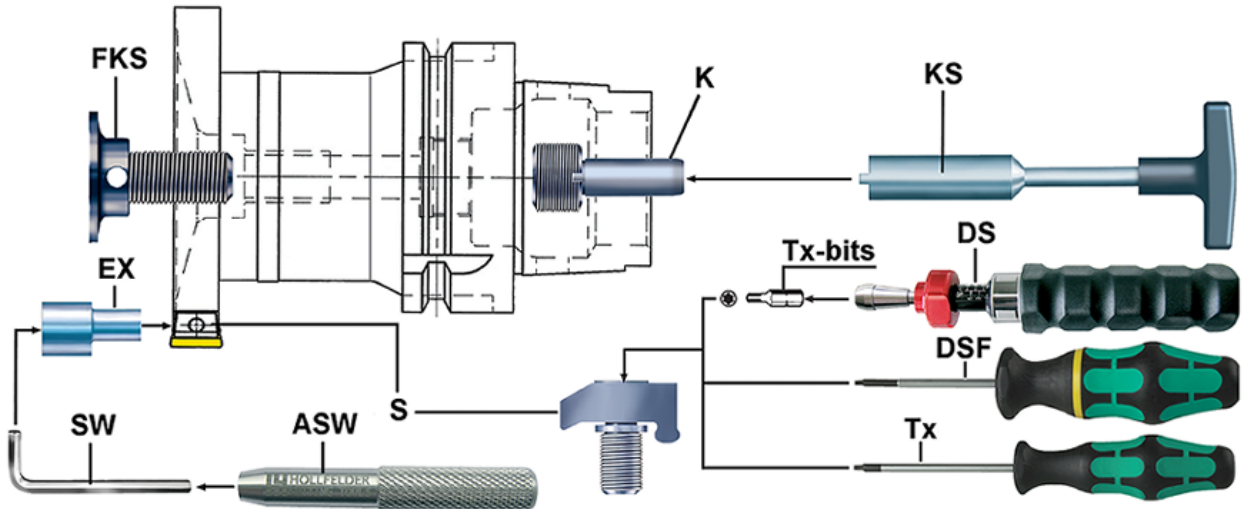




Spare Parts and Handling Tools



- | | | | |
|----------------|---------------------------------|------------|--|
| S | Clamping set | SW | Adjusting key |
| Tx | Torx screw driver | ASW | Adaptor |
| DS | Torque wrench adjustable | FKS | Coolant distribution screw |
| DSF | Torque wrench fixed | K | Coolant pipe |
| Tx-bits | Torx-bits | KS | Key for coolant pipe |
| EX | Eccentric bolt | Nm | Tightening torque $\pm 10\%$ |

Assembly paste E 5162

Please note: Clamping set S contains:

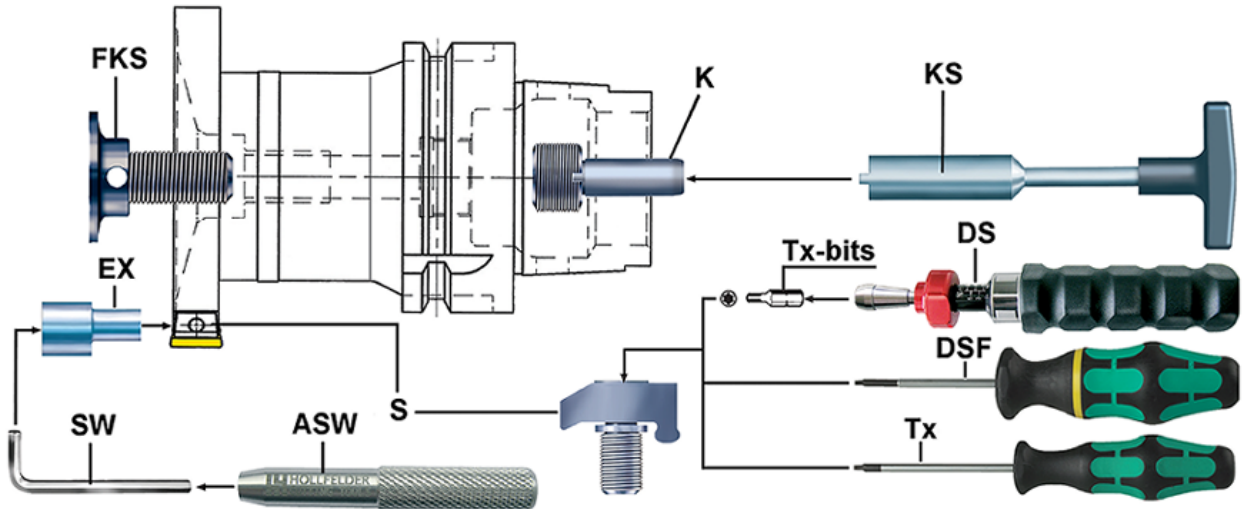
1 Clamping set, 1 sealing ring, 1 clamping screw

Tool	S	Tx	DS / DSF	Tx-bits	EX	SW	ASW
H 3108-..... R	E 4265	Tx 6	see adjustment instruction	Tx 6-bit	E 4349	SW 1.3	E 5005
H 6120-..... R	E 4119	Tx 8	see adjustment instruction	Tx 8-bit	E 4120	SW 1.5	E 5005

We reserve the right to make technical changes.



Spare Parts and Handling Tools



Tool	FKS	K	KS
H 3108-..... R	for monobloc	DIN 69893 Viton-seals included	
H 6120-..... R	Ø 32 E 4193	for HSK 32 E 2807-1	E 4298
	Ø 40 E 4192	for HSK 40 E 2807-2	E 4299
	Ø 50 E 4230	for HSK 50 E 2807-3	E 4300
	Ø 63 E 4154	for HSK 63 E 2807-4	E 4301
	Ø 80 E 4121	for HSK 80 E 2807-5	E 4302
	Ø 100 E 4247-1	for HSK 100 E 2807-6	E 4303
	Ø 125 E 4247-1		
	Ø 160 E 4275-1		
	for put-on milling cutters	Nm	
	Ø 40 E 3805	40	
	Ø 50 E 3806	60	
	Ø 63 E 3806	60	
	Ø 80 E 4079	80	
Ø 100 E 4247-2	95		
Ø 125 E 4275-2	100		
Ø 160 E 4275-2	100		

We reserve the right to make technical changes.