



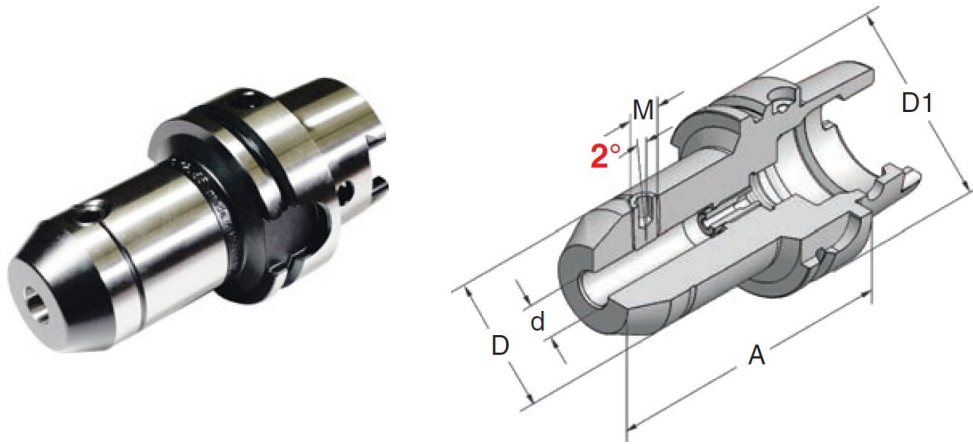
Toolholders with HSK-tapers shank DIN 69893-1

Holders for straight shank tools DIN 69882-5 (Whistle-Notch DIN 1835 E)

Concentricity from the taper to the holding part < 0.005

Base-body balanced, G 2.5 - 15,000 r.p.m.

Special executions on inquiry



HSK - A

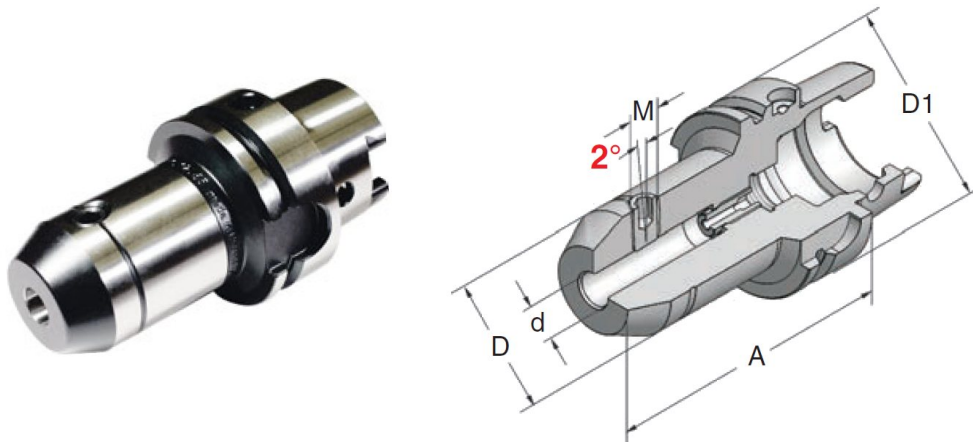
HSK - A 40



Art.-Nr.	Type	D1	A	d	D	M
40.11.06.65	HSK-A40x06Ex 60	40	60	6	25	6
40.11.08.65	HSK-A40x08Ex 60	40	60	8	28	8
40.11.10.65	HSK-A40x10Ex 60	40	60	10	35	10
40.11.12.65	HSK-A40x12Ex 70	40	70	12	42	12
40.11.14.65	HSK-A40x14Ex 70	40	70	14	44	12
40.11.16.65	HSK-A40x16Ex 70	40	70	16	48	14
HSK - A 50						
50.11.06.65	HSK-A50x06Ex 80	50	80	6	25	6
50.11.08.65	HSK-A50x08Ex 80	50	80	8	28	8
50.11.10.65	HSK-A50x10Ex 80	50	80	10	35	10
50.11.12.65	HSK-A50x12Ex 90	50	90	12	42	12
50.11.14.65	HSK-A50x14Ex 90	50	90	14	44	12
50.11.16.65	HSK-A50x16Ex 90	50	90	16	48	14
50.11.20.65	HSK-A50x20Ex100	50	100	20	50	16

We reserve the right to make technical changes.

Holders for straight shank tools DIN 69882-5 (Whistle-Notch DIN 1835 E)



HSK - A

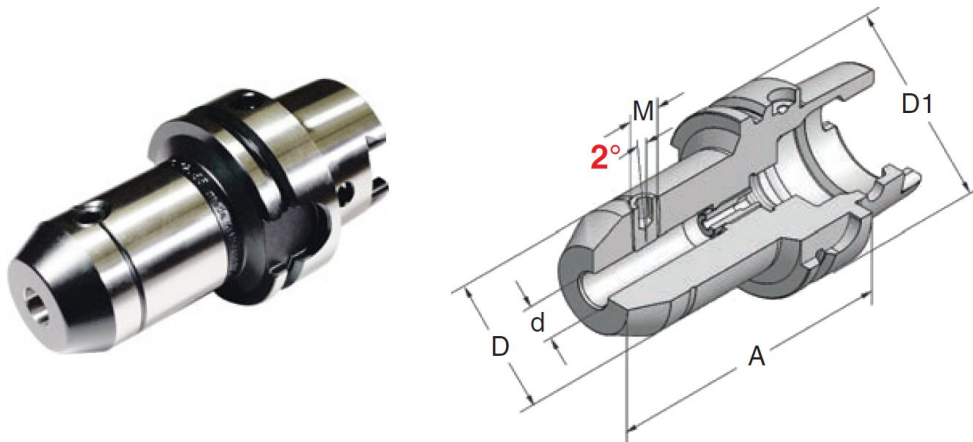
HSK - A 63



Art.-Nr.	Type	D1	A	d	D	M
63.11.06.65	HSK-A63x06Ex 80	63	80	6	25	6
63.11.06.652	HSK-A63x06Ex130	63	130	6	25	6
63.11.08.65	HSK-A63x08Ex 80	63	80	8	28	8
63.11.08.652	HSK-A63x08Ex130	63	130	8	28	8
63.11.10.65	HSK-A63x10Ex 80	63	80	10	35	10
63.11.10.652	HSK-A63x10Ex130	63	130	10	35	10
63.11.12.65	HSK-A63x12Ex 90	63	90	12	42	12
63.11.12.652	HSK-A63x12Ex130	63	130	12	42	12
63.11.14.65	HSK-A63x14Ex 90	63	90	14	44	12
63.11.14.652	HSK-A63x14Ex130	63	130	14	44	12
63.11.16.65	HSK-A63x16Ex100	63	100	16	48	14
63.11.16.652	HSK-A63x16Ex130	63	130	16	48	14
63.11.18.65	HSK-A63x18Ex100	63	100	18	50	14
63.11.20.65	HSK-A63x20Ex100	63	100	20	52	16
63.11.20.652	HSK-A63x20Ex130	63	130	20	52	16
63.11.25.65	HSK-A63x25Ex110	63	110	25	63	18x2
63.11.32.65	HSK-A63x32Ex110	63	110	32	72	20x2


We reserve the right to make technical changes.

Holders for straight shank tools DIN 69882-5 (Whistle-Notch DIN 1835 E)



HSK - A

HSK - A 100

	Art.-Nr.	Type	D1	A	d	D	M
	100.11.06.65	HSK-A100x06Ex100	100	100	6	25	6
100.11.06.653	HSK-A100x06Ex160	100	160	6	25	6	
100.11.08.65	HSK-A100x08Ex100	100	100	8	28	8	
100.11.08.653	HSK-A100x08Ex160	100	160	8	28	8	
100.11.10.65	HSK-A100x10Ex100	100	100	10	35	10	
100.11.10.653	HSK-A100x10Ex160	100	160	10	35	10	
100.11.12.65	HSK-A100x12Ex100	100	100	12	42	12	
100.11.12.653	HSK-A100x12Ex160	100	160	12	42	12	
100.11.14.65	HSK-A100x14Ex100	100	100	14	44	12	
100.11.14.653	HSK-A100x14Ex160	100	160	14	44	12	
100.11.16.65	HSK-A100x16Ex100	100	100	16	48	14	
100.11.16.653	HSK-A100x16Ex160	100	160	16	48	14	
100.11.20.65	HSK-A100x20Ex110	100	110	20	52	16	
100.11.20.653	HSK-A100x20Ex160	100	160	20	52	16	
100.11.25.65	HSK-A100x25Ex120	100	120	25	63	18x2	
100.11.32.65	HSK-A100x32Ex120	100	120	32	72	20x2	

We reserve the right to make technical changes.