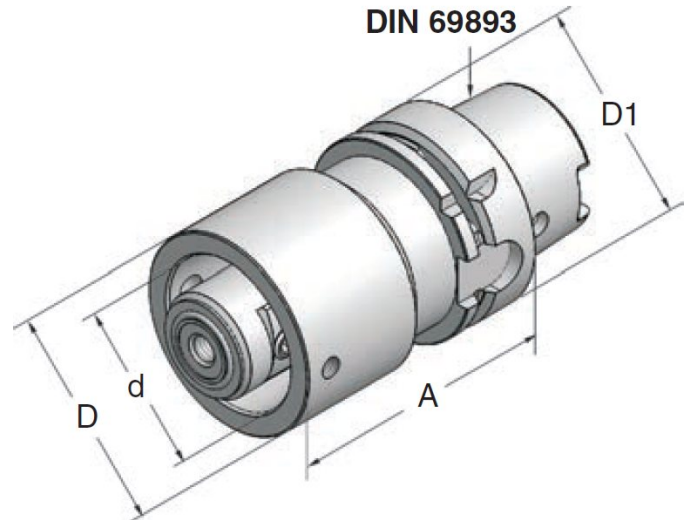


Toolholders with HSK-tapers shank DIN 69893-1

Extensions

HSK DIN 69893 – HSK DIN 69893

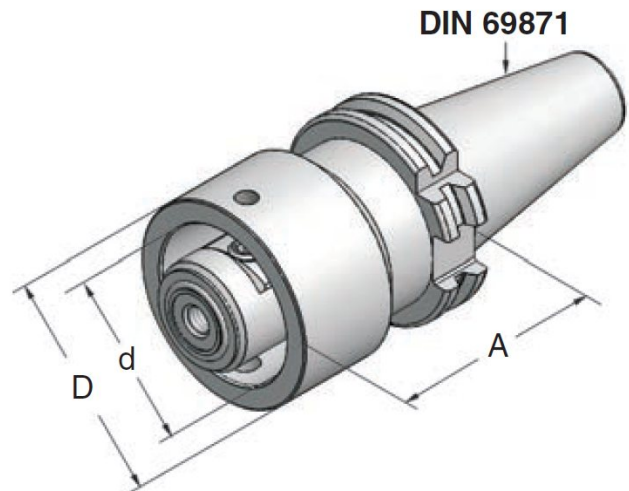


HSK - A 63

Art.-Nr.	Type	D1	HSK	A	D
63.11.63A- 90	HSK-A63xA63x 90	63	A63	90	63
63.11.63A-120	HSK-A63xA63x120	63	A63	120	63

Adaptors

SK DIN 69871 – HSK DIN 69893



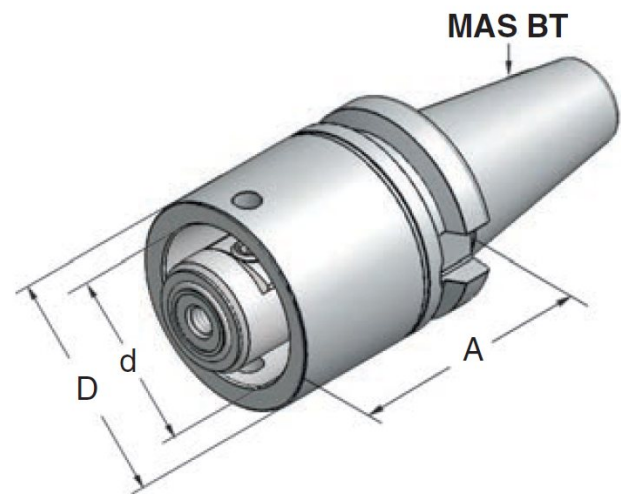
DIN 69871

Art.-Nr.	Type	SK	HSK	A	D
40.01.50A	SK40xHSK-A50-AD+B	40	A50	50	50
40.01.50E	SK40xHSK-E50-AD+B	40	E50	50	50
40.01.63A	SK40xHSK-A63-AD+B	40	A63	75	63
40.01.63E	SK40xHSK-E63-AD+B	40	E63	75	63
50.01.50A	SK50xHSK-A50-AD+B	50	A50	50	50
50.01.50E	SK50xHSK-E50-AD+B	50	E50	50	50
50.01.63A	SK50xHSK-A63-AD+B	50	A63	50	63

We reserve the right to make technical changes.

Adaptors

MAS BT – HSK DIN 69893



MAS BT

Art.-Nr.	Type	BT	HSK	A	D
40.05.40A	BT40xHSK-A40-AD+B	40	A40	50	40
40.05.50A	BT40xHSK-A50-AD+B	40	A50	50	50
40.05.63A	BT40xHSK-A63-AD+B	40	A63	75	63

We reserve the right to make technical changes.