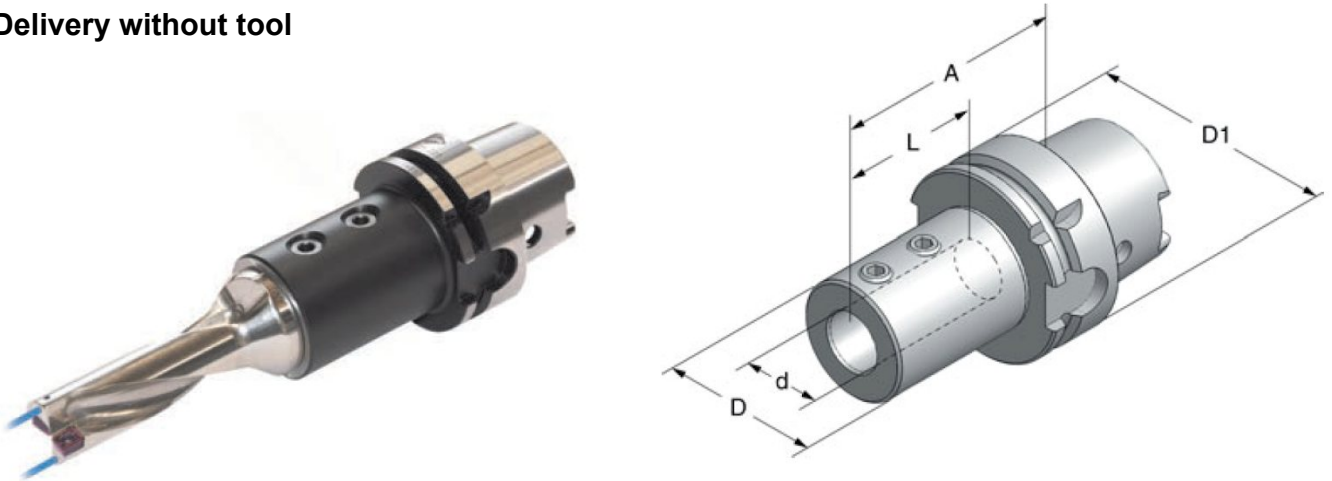




Toolholders with HSK-tapers shank ISO 12164-3

HSK-T holder for insert drills

Delivery without tool



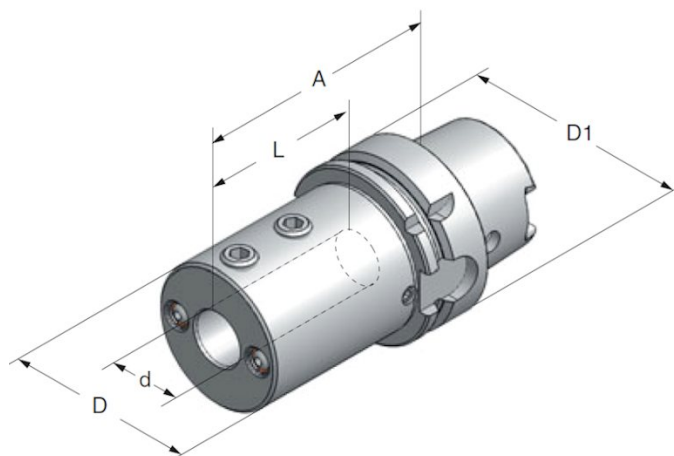
HSK - T 63

Art.-Nr.	Type	d	D	D1	L	A
63.11.16.220	HSK-T63x16x 80	16	34	63	54	80
63.11.20.220	HSK-T63x20x 80	20	40	63	54	80
63.11.25.220	HSK-T63x25x 85	25	45	63	59	85
63.11.32.220	HSK-T63x32x 90	32	52	63	63	90
63.11.40.220	HSK-T63x40x100	40	60	63	73	100
HSK - T 100						
100.11.25.220	HSK-T100x25x100	25	45	100	59	100
100.11.32.220	HSK-T100x32x100	32	52	100	63	100
100.11.40.220	HSK-T100x40x110	40	60	100	73	110
100.11.50.220	HSK-T100x50x120	50	70	100	83	120

We reserve the right to make technical changes.

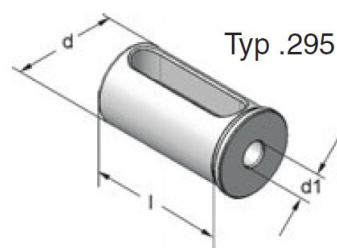
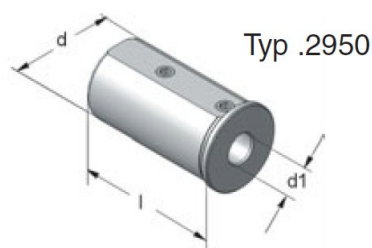
HSK-T boring bar holder $\varnothing 6 - 32$

Delivery without tool


HSK - T 40

Art.-Nr.	Type	d	D	D1	L	A
40.11.06.290	HSK-T40x06x 55	6	34	40	36	55
40.11.08.290	HSK-T40x08x 55	8	34	40	36	55
40.11.10.290	HSK-T40x10x 55	10	34	40	36	55
40.11.12.290	HSK-T40x12x 55	12	36	40	36	55
40.11.16.290	HSK-T40x16x 70	16	40	40	52	70
HSK - T 63						
63.11.06.290	HSK-T63x06x 90	6	38	63	55	90
63.11.08.290	HSK-T63x08x 90	8	40	63	55	90
63.11.10.290	HSK-T63x10x 90	10	42	63	55	90
63.11.12.290	HSK-T63x12x 90	12	44	63	55	90
63.11.16.290	HSK-T63x16x 90	16	48	63	65	90
63.11.20.290	HSK-T63x20x 90	20	52	63	65	90
63.11.25.290	HSK-T63x25x 90	25	57	63	65	90
63.11.32.290	HSK-T63x32x 90	32	64	63	65	90
63.11.40.290	HSK-T63x40x100	40	74	63	75	100
HSK - T 100						
100.11.32.290	HSK-T100x32x100	32	68	100	65	100
100.11.40.290	HSK-T100x40x110	40	80	100	77	110
100.11.50.290	HSK-T100x50x120	50	90	100	86	120

We reserve the right to make technical changes.

Reduction bushes for boring bar holders


Art.-Nr.	for Type	d	d1	l
32.06.2950	63.11.32.290, 100.11.32.290	32	6	60
32.08.2950	63.11.32.290, 100.11.32.290	32	8	60
32.10.2950	63.11.32.290, 100.11.32.290	32	10	60
32.12.295	63.11.32.290, 100.11.32.290	32	12	60
32.14.295	63.11.32.290, 100.11.32.290	32	14	60
32.16.295	63.11.32.290, 100.11.32.290	32	16	60
32.18.295	63.11.32.290, 100.11.32.290	32	18	60
32.20.295	63.11.32.290, 100.11.32.290	32	20	60
32.25.295	63.11.32.290, 100.11.32.290	32	25	60
40.06.2950	100.11.40.290	40	6	72
40.08.2950	100.11.40.290	40	8	72
40.10.2950	100.11.40.290	40	10	72
40.12.2950	100.11.40.290	40	12	72
40.14.295	100.11.40.290	40	14	72
40.16.295	100.11.40.290	40	16	72
40.18.295	100.11.40.290	40	18	72
40.20.295	100.11.40.290	40	20	72
40.25.295	100.11.40.290	40	25	72
40.32.295	100.11.40.290	40	32	72

We reserve the right to make technical changes.