



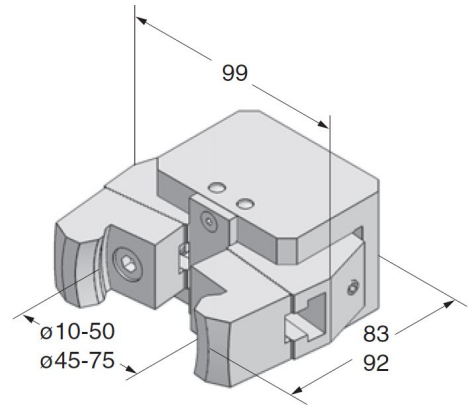
Toolholders with HSK-tapers shank DIN 69893-1

Bar puller clamping range $\varnothing 10 - 75\text{mm}$

Incl. 2 sets clamping jaws ($\varnothing 10-50$ & $\varnothing 45-75$)



The holder has to be ordered separately !



Bar Puller

Art.-Nr.	
30.0924	excl. holder



We reserve the right to make technical changes.

Holder for bar puller



HSK - A 63

Art.-Nr.	D1	A
63.11.0924	63	43

HSK - A 100

100.11.0924	100	46
-------------	-----	----

We reserve the right to make technical changes.