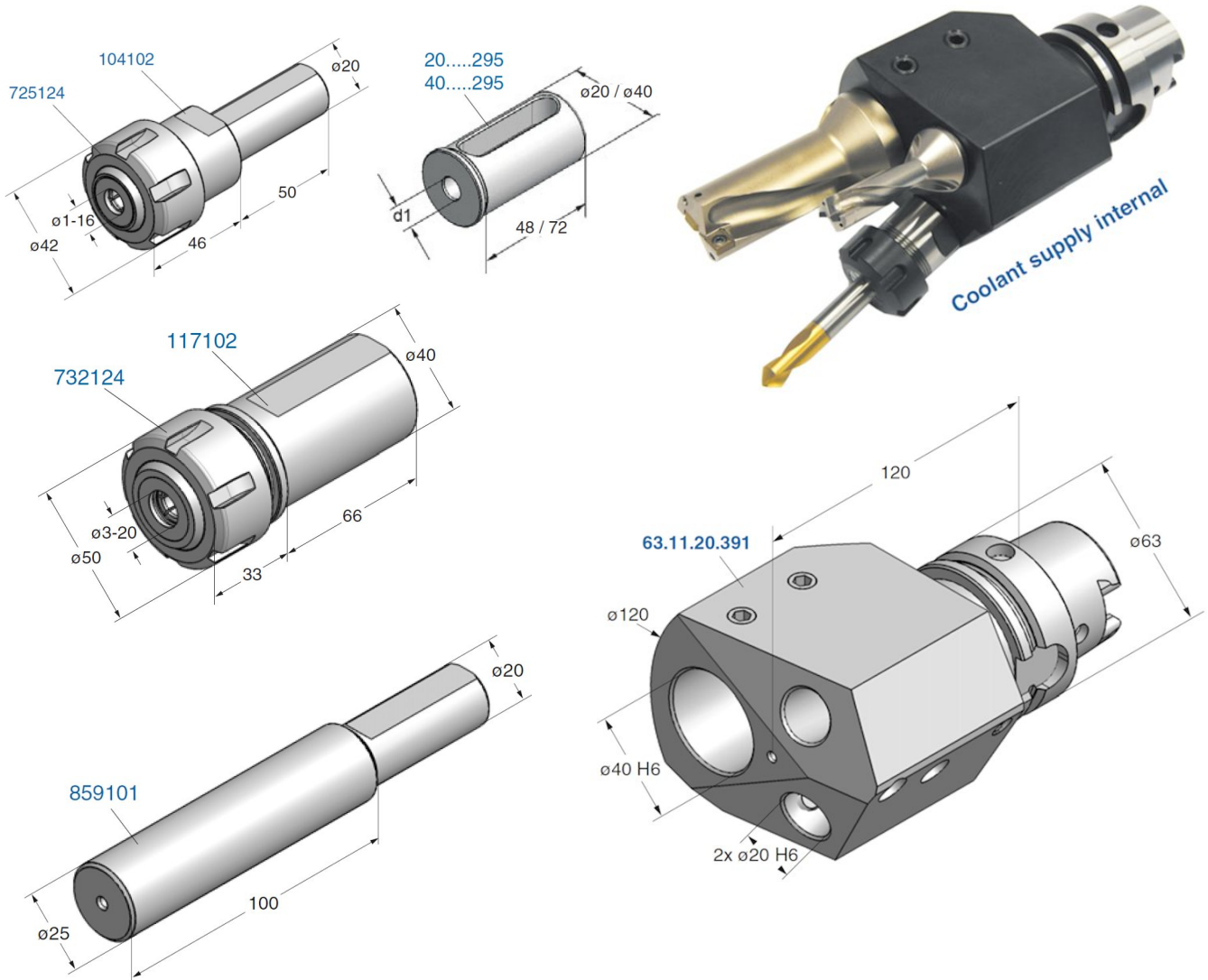




Toolholders with HSK-tapers shank ISO 12164-3

HSK-T63 triple boring bar holder - 2x $\varnothing 20$, 1x $\varnothing 40$

Delivery without tools



HSK - T 63

Reduction bush

Art.-Nr.	Type	Art.-Nr.	D1
63.11.20.391	HSK-T63x20/40x120	20.06.295	6
859101	Control arbor $\varnothing 20 \times \varnothing 25 \times 100$	20.08.295	8
		20.10.295	10
104102	Collet chuck $\varnothing 20 \times ER25 \varnothing 1-16$	20.12.295	12
725124	Clamping nut for sealing disc 325 . . .	20.16.295	16
117102	Collet chuck $\varnothing 40 \times ER32 \varnothing 3-20$	40.25.295	25
732124	Clamping nut for sealing disc 332 . . .	40.32.295	32

We reserve the right to make technical changes.