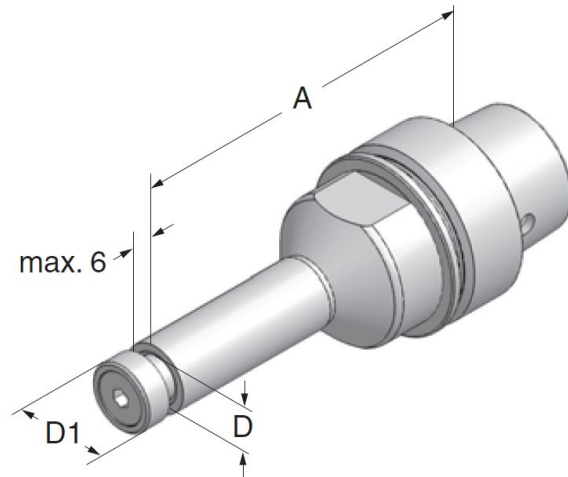


Toolholders with HSK-tapers shank DIN 69893-1

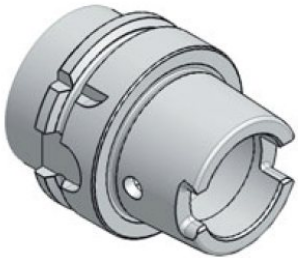
Sawblade holders ø8, 10, 13, 16, 22

Delivery without tool




HSK - A

HSK - A 63

	Art.-Nr.	Type	A	D	D1
	40.11.08.906	HSK-A40x08x85	85	8	14
	40.11.10.906	HSK-A40x10x85	85	10	16
	40.11.13.906	HSK-A40x13x85	85	13	19
	40.11.16.906	HSK-A40x16x85	85	16	22
	40.11.22.906	HSK-A40x22x85	85	22	32

HSK - E

HSK - E 40

	Art.-Nr.	Type	A	D	D1
	40.12.08.906	HSK-E40x08x85	85	8	14
	40.12.10.906	HSK-E40x10x85	85	10	16
	40.12.13.906	HSK-E40x13x85	85	13	19
	40.12.16.906	HSK-E40x16x85	85	16	22
	40.12.22.906	HSK-E40x22x85	85	22	32

We reserve the right to make technical changes.