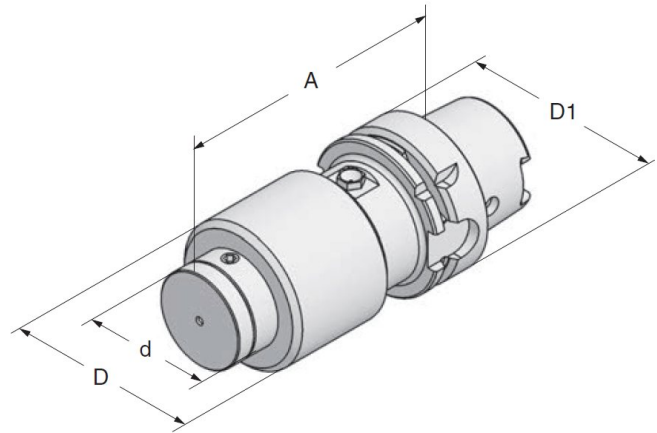




Toolholders with HSK-tapers shank DIN 69893-1

Rotary stop spring mounted



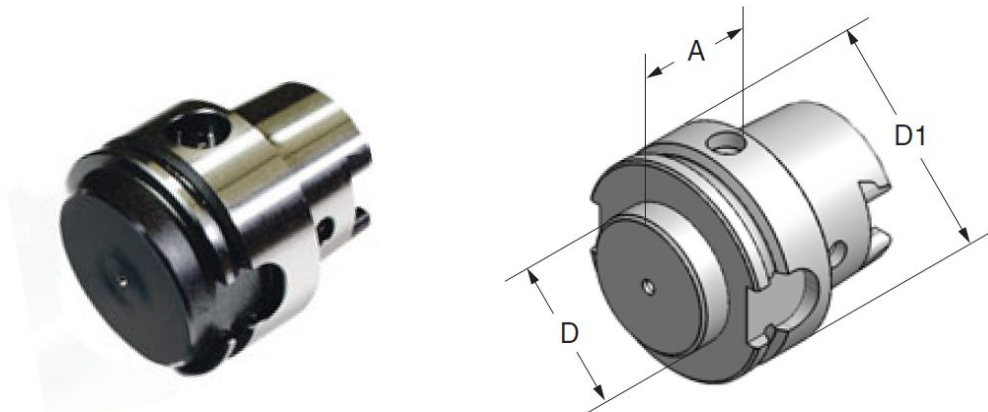
HSK - A

HSK - A 63

	Art.-Nr.	Type	D1	A	d	D
	63.11.60.355		63	115	40	60

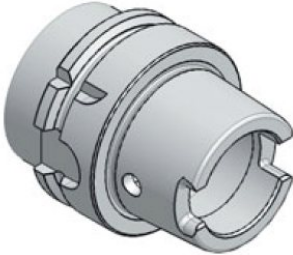
We reserve the right to make technical changes.

Blind toolings



HSK - A

HSK - A 40

	Art.-Nr.	Type	D1	A	D
	40.11.00.500	HSK-A40	40	25	25
	HSK - A 50				
	50.11.00.500	HSK-A50	50	31	30
	HSK - A 63				
	63.11.00.500	HSK-A63	63	35	40
	HSK - A 100				
	100.11.00.500	HSK-A100	100	45	50

We reserve the right to make technical changes.