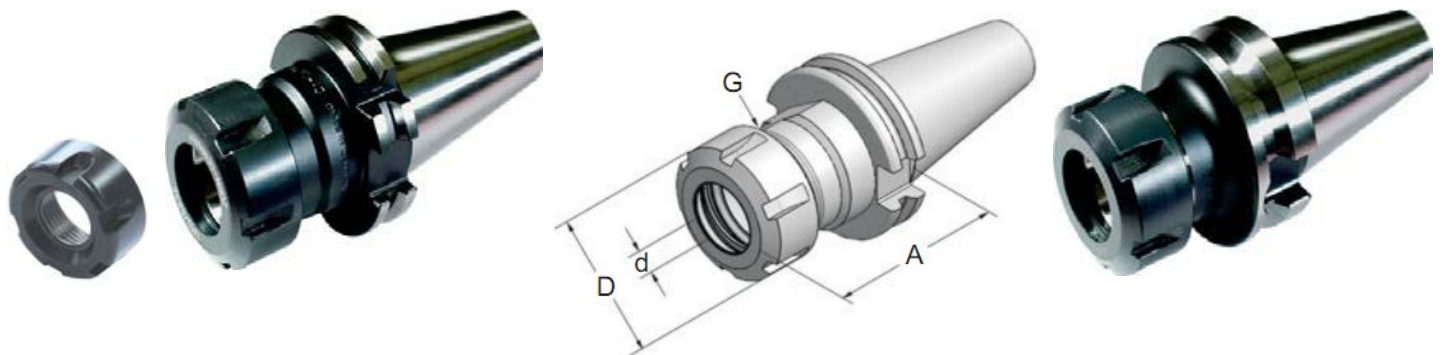


ISO Taper-toolholders

Collet chucks for collets ER/ESX DIN 6499 / ISO 15488

Taper angle AT3, Concentricity from the taper to the holding part < 0.005

Base-body balanced, SK30/BT30 G 2.5 - 25,000 r.p.m.



DIN 69871

MAS BT

Art.-Nr.	Type	A	d	D	G	Art.-Nr.	Type	A	d	D	G
30.01.07.2	SK30xER11x 70-AD	70	1- 7	19	M14x0.75	30.05.07.2	BT30xER11x 70-AD	70	1- 7	19	M14x0.75
30.01.10.2	SK30xER16x 70-AD	70	1-10	28	M22x1.50	30.05.10.2	BT30xER16x 70-AD	70	1-10	28	M22x1.50
30.01.10.20	SK30xER16x 45-AD	45	1-10	28	M22x1.50	30.05.10.2-50	BT30xER16x 50-AD	50	1-10	28	M22x1.50
30.01.16.2	SK30xER25x 70-AD	70	1-16	42	M32x1.50	30.05.13.2	BT30xER20x 70-AD	70	1-13	35	M25x1.50
30.01.20.2	SK30xER32x 70-AD	70	2-20	50	M40x1.50	30.05.16.2	BT30xER25x 70-AD	70	1-16	42	M32x1.50
30.01.26.2	SK30xER40x 70-AD	70	3-30	63	M50x1.50	30.05.16.2-55	BT30xER25x 55-AD	55	1-16	42	M32x1.50
						30.05.20.2	BT30xER32x 70-AD	70	2-20	50	M40x1.50
						30.05.20.2-50	BT30xER32x 50-AD	50	2-20	50	M40x1.50
						30.05.26.2	BT30xER40x 70-AD	70	3-30	63	M50x1.50
						30.05.07.22	BT30xER11x100-AD	100	1- 7	19	M14x0.75
30.01.10.22	SK30xER16x100-AD	100	1-10	28	M22x1.50	30.05.10.22	BT30xER16x100-AD	100	1-10	28	M22x1.50
						30.05.13.22	BT30xER20x100-AD	100	1-13	35	M25x1.50
30.01.16.22	SK30xER25x100-AD	100	1-16	42	M32x1.50	30.05.16.22	BT30xER25x100-AD	100	1-16	42	M32x1.50
30.01.20.22	SK30xER32x100-AD	100	2-20	63	M40x1.50	30.05.20.22	BT30xER32x100-AD	100	2-20	50	M40x1.50

We reserve the right to make technical changes.

Collet chucks for collets ER/ESX DIN 6499 / ISO 15488

Base-body balanced, SK40/BT40 G 2.5 - 20,000 r.p.m.



DIN 69871

MAS BT

Art.-Nr.	Type	A	d	D	G	Art.-Nr.	Type	A	d	D	G
						40.05.10.2	BT40xER16x 70-AD	70	1-10	28	M22x1.50
40.01.07.2	SK40xER11x 70-AD+B	70	1- 7	19	M14x0.75	40.05.13.21	BT40xER20x 70-AD+B	70	1-13	35	M25x1.50
40.01.10.2	SK40xER16x 70-AD+B	70	1-10	28	M22x1.50	40.05.16.2	BT40xER25x 70-AD	70	1-16	42	M32x1.50
40.01.13.2	SK40xER20x 70-AD+B	70	1-13	35	M25x1.50	40.05.20.2	BT40xER32x 70-AD	70	2-20	50	M40x1.50
40.01.16.2	SK40xER25x 70-AD+B	70	1-16	42	M32x1.50	40.05.20.21	BT40xER32x 70-AD+B	70	2-20	50	M40x1.50
40.01.20.2	SK40xER32x 70-AD+B	70	2-20	50	M40x1.50	40.05.26.2	BT40xER40x 70-AD	70	3-30	50	M50x1.50
40.01.26.2	SK40xER40x 70-AD+B	70	3-30	63	M50x1.50	40.05.26.21	BT40xER40x 70-AD+B	70	3-30	63	M50x1.50
40.01.34.2	SK40xER50x 85-AD+B	85	6-34	78	M64x2.00	40.05.34.21	BT40xER50x 85-AD+B	85	6-34	78	M64x2.00
40.01.07.22	SK40xER11x100-AD+B	100	1- 7	19	M14x0.75	40.05.07.22	BT40xER11x100-AD+B	100	1- 7	19	M14x0.75
40.01.10.22	SK40xER16x100-AD+B	100	1-10	28	M22x1.50	40.05.10.22	BT40xER16x100-AD+B	100	1-10	28	M22x1.50
40.01.13.22	SK40xER20x100-AD+B	100	1-13	35	M25x1.50	40.05.13.22	BT40xER20x100-AD+B	100	1-13	35	M25x1.50
40.01.16.22	SK40xER25x100-AD+B	100	1-16	42	M32x1.50	40.05.16.22	BT40xER25x100-AD+B	100	1-16	42	M32x1.50
40.01.20.22	SK40xER32x100-AD+B	100	2-20	50	M40x1.50	40.05.20.22	BT40xER32x100-AD+B	100	2-20	50	M40x1.50
40.01.26.22	SK40xER40x100-AD+B	100	3-30	63	M50x1.50	40.05.26.22	BT40xER40x100-AD+B	100	3-30	63	M50x1.50
40.01.10.23	SK40xER16x160-AD+B	160	1-10	28	M22x1.50	40.05.10.23	BT40xER16x160-AD+B	160	1-10	28	M22x1.50
40.01.16.23	SK40xER25x160-AD+B	160	1-16	42	M32x1.50	40.05.16.23	BT40xER25x160-AD+B	160	1-16	42	M32x1.50
40.01.20.23	SK40xER32x160-AD+B	160	2-20	50	M40x1.50	40.05.20.23	BT40xER32x160-AD+B	160	2-20	50	M40x1.50
40.01.26.23	SK40xER40x160-AD+B	160	3-30	63	M50x1.50	40.05.26.23	BT40xER40x160-AD+B	160	3-30	63	M50x1.50

We reserve the right to make technical changes.

Collet chucks for collets ER/ESX DIN 6499 / ISO 15488

Base-body balanced, SK50/BT50 G 2.5 - 15,000 r.p.m.



DIN 69871

MAS BT

Art.-Nr.	Type	A	d	D	G	Art.-Nr.	Type	A	d	D	G
50.01.10.2	SK50xER16x100-AD+B	100	1-10	28	M22x1.50	50.05.10.2	BT50xER16x100-AD+B	100	1-10	28	M22x1.50
50.01.16.2	SK50xER25x100-AD+B	100	1-16	42	M32x1.50	50.05.16.2	BT50xER25x100-AD+B	100	1-16	42	M32x1.50
50.01.20.2	SK50xER32x100-AD+B	100	2-20	50	M40x1.50	50.05.20.2	BT50xER32x100-AD+B	100	2-20	50	M40x1.50
50.01.26.2	SK50xER40x100-AD+B	100	3-30	63	M50x1.50	50.05.26.2	BT50xER40x100-AD+B	100	3-30	63	M50x1.50
50.01.34.2	SK50xER50x100-AD+B	100	6-34	78	M64x2.00	50.05.34.2	BT50xER50x100-AD+B	100	6-34	78	M64x2.00
50.01.10.23	SK50xER16x160-AD+B	160	1-10	28	M22x1.50	50.05.10.23	BT50xER16x160-AD+B	160	1-10	28	M22x1.50
50.01.16.23	SK50xER25x160-AD+B	160	1-16	42	M32x1.50	50.05.16.23	BT50xER25x160-AD+B	160	1-16	42	M32x1.50
50.01.20.23	SK50xER32x160-AD+B	160	2-20	50	M40x1.50	50.05.20.23	BT50xER32x160-AD+B	160	2-20	50	M40x1.50
50.01.26.23	SK50xER40x160-AD+B	160	3-30	63	M50x1.50	50.05.26.23	BT50xER40x160-AD+B	160	3-30	63	M50x1.50



DIN 6499

- Collet ER/ESX 11 - Clamping range \varnothing 1-7
- Collet ER/ESX 16 - Clamping range \varnothing 1-10
- Collet ER/ESX 20 - Clamping range \varnothing 1-13
- Collet ER/ESX 25 - Clamping range \varnothing 1-16
- Collet ER/ESX 32 - Clamping range \varnothing 2-20
- Collet ER/ESX 40 - Clamping range \varnothing 3-30
- Collet ER/ESX 50 - Clamping range \varnothing 6-34

We reserve the right to make technical changes.