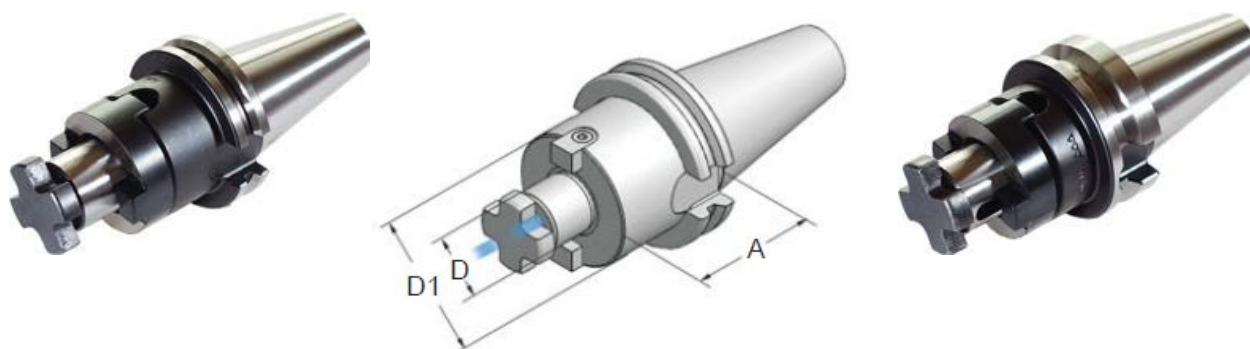


ISO Taper-toolholders

Universal arbors DIN 6358

Taper angle AT3, Concentricity from the taper to the holding part < 0.005



DIN 69871

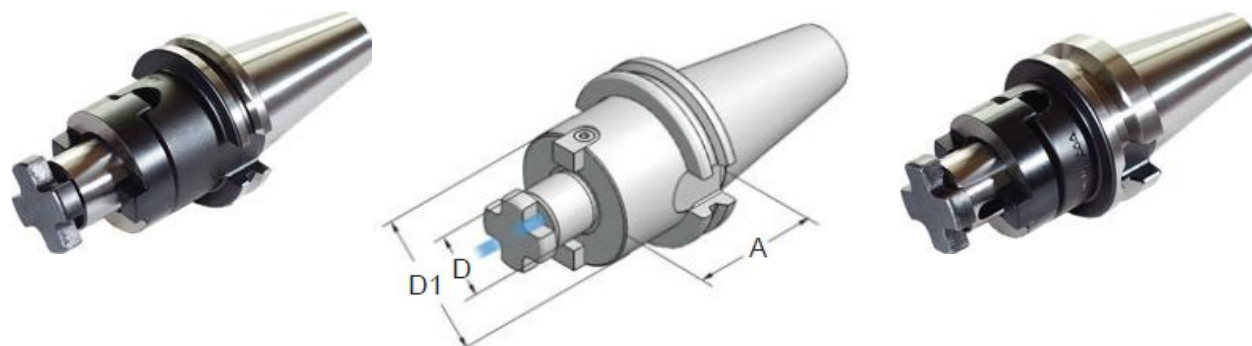
MAS BT

Art.-Nr.	Type	A	D	D1	Art.-Nr.	Type	A	D	D1
30.01.16.4	SK30x16x 50-AD	50	16	32	30.05.16.4	BT30x16x 50-AD	50	16	32
30.01.22.4	SK30x22x 50-AD	50	22	40	30.05.22.4	BT30x22x 50-AD	50	22	40
30.01.27.4	SK30x27x 52-AD	52	27	48	30.05.27.4	BT30x27x 50-AD	50	27	48
40.01.16.4	SK40x16x 55-AD	55	16	32	40.05.16.4	BT40x16x 55-AD	55	16	32
40.01.22.4	SK40x22x 55-AD	55	22	40	40.05.22.4	BT40x22x 55-AD	55	22	40
40.01.27.4	SK40x27x 55-AD	55	27	48	40.05.27.4	BT40x27x 55-AD	55	27	48
40.01.32.4	SK40x32x 60-AD	60	32	58	40.05.32.4	BT40x32x 60-AD	60	32	58
40.01.40.4	SK40x40x 60-AD	60	40	70	40.05.40.4	BT40x40x 60-AD	60	40	70
40.01.16.42	SK40x16x100-AD	100	16	32	40.05.16.42	BT40x16x100-AD	100	16	32
40.01.22.42	SK40x22x100-AD	100	22	40	40.05.22.42	BT40x22x100-AD	100	22	40
40.01.27.42	SK40x27x100-AD	100	27	48	40.05.27.42	BT40x27x100-AD	100	27	48
40.01.32.42	SK40x32x100-AD	100	32	58	40.05.32.42	BT40x32x100-AD	100	32	58

We reserve the right to make technical changes.

Universal arbors DIN 6358

Taper angle AT3, Concentricity from the taper to the holding part < 0.005



DIN 69871

MAS BT

Art.-Nr.	Type	A	D	D1	Art.-Nr.	Type	A	D	D1
50.01.16.4	SK50x16x 55-AD	55	16	32	50.05.16.4	BT50x16x 70-AD	70	16	32
50.01.22.4	SK50x22x 55-AD	55	22	40	50.05.22.4	BT50x22x 70-AD	70	22	40
50.01.27.4	SK50x27x 55-AD	55	27	48	50.05.27.4	BT50x27x 70-AD	70	27	48
50.01.32.4	SK50x32x 55-AD	55	32	58	50.05.32.4	BT50x32x 70-AD	70	32	58
50.01.40.4	SK50x40x 55-AD	55	40	70	50.05.40.4	BT50x40x 70-AD	70	40	70
50.01.50.4	SK50x50x 70-AD	70	50	90	50.05.50.4	BT50x50x 90-AD	90	50	90
50.01.16.42	SK50x16x100-AD	100	16	32	50.05.16.42	BT50x16x100-AD	100	16	32
50.01.22.42	SK50x22x100-AD	100	22	40	50.05.22.42	BT50x22x100-AD	100	22	40
50.01.27.42	SK50x27x100-AD	100	27	48	50.05.27.42	BT50x27x100-AD	100	27	48
50.01.32.42	SK50x32x100-AD	100	32	58	50.05.32.42	BT50x32x100-AD	100	32	58
50.01.40.42	SK50x40x100-AD	100	40	70	50.05.40.42	BT50x40x100-AD	100	40	70

We reserve the right to make technical changes.