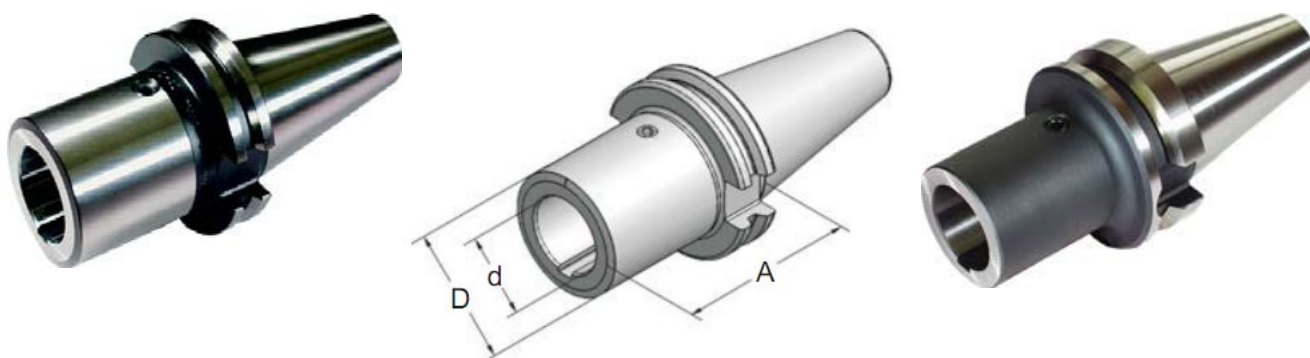


ISO Taper-toolholders

Adapter for setting sleeves to DIN 6327

Taper angle AT3, Concentricity from the taper to the holding part < 0.005



DIN 69871

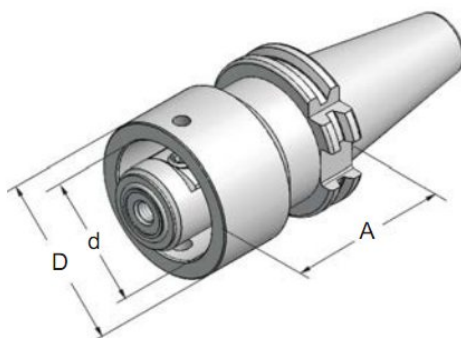
MAS BT

Art.-Nr.	Type	A	d	D	Art.-Nr.	Type	A	d	D
40.01.28.7	SK40x28x 70-AD	70	28	41	40.05.28.7	BT40x28x 70-AD	70	28	41
40.01.36.7	SK40x36x120-AD	120	36	50	40.05.36.7	BT40x36x120-AD	120	36	50
50.01.28.7	SK50x28x100-AD	100	28	50	50.05.28.7	BT50x28x100-AD	100	28	50
50.01.36.7	SK50x36x100-AD	100	36	60	50.05.36.7	BT50x36x100-AD	100	36	60
50.01.48.7	SK50x48x100-AD	100	48	80	50.05.48.7	BT50x48x100-AD	100	48	80

We reserve the right to make technical changes.

Adaptors for HSK DIN 69893

SK DIN 69871 – HSK DIN 69893



MAS BT – HSK DIN 69893



DIN 69871

MAS BT

Art.-Nr.	Type	SK	HSK	A	D	Art.-Nr.	Type	SK	HSK	A	D
						40.05.40A	BT40xHSK-A40-AD+B	40	A40	50	40
40.01.50A	SK40xHSK-A50-AD+B	40	A50	50	50	40.05.50A	BT40xHSK-A50-AD+B	40	A50	50	50
40.01.50E	SK40xHSK-E50-AD+B	40	E50	50	50						
40.01.63A	SK40xHSK-A63-AD+B	40	A63	75	63	40.05.63A	BT40xHSK-A63-AD+B	40	A63	75	63
40.01.63E	SK40xHSK-E63-AD+B	40	E63	75	63						
50.01.50A	SK50xHSK-A50-AD+B	50	A50	50	50						
50.01.50E	SK50xHSK-E50-AD+B	50	E50	50	50						
50.01.63A	SK50xHSK-A63-AD+B	50	A63	50	63						

We reserve the right to make technical changes.