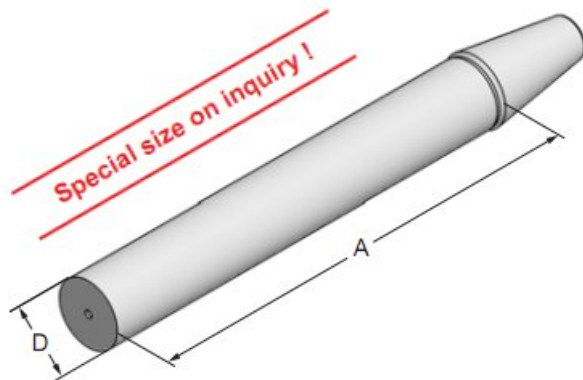


ISO Taper-toolholders

Control arbor in wooden case

For setting the absolute zero point and the concurrency correction



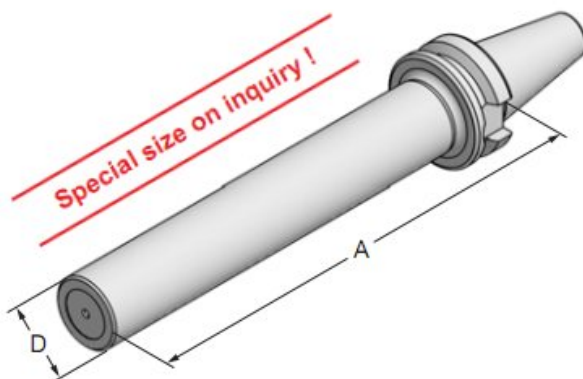
DIN 69871

MAS BT

Art.-Nr.	Type	A	D
30.05.200	SK30xø30x200	200	30
40.05.315	SK40xø30x315	315	30
50.05.315	SK50xø50x315	315	50

Control arbor with groove in wooden case

For setting the absolute zero point and the concurrency correction

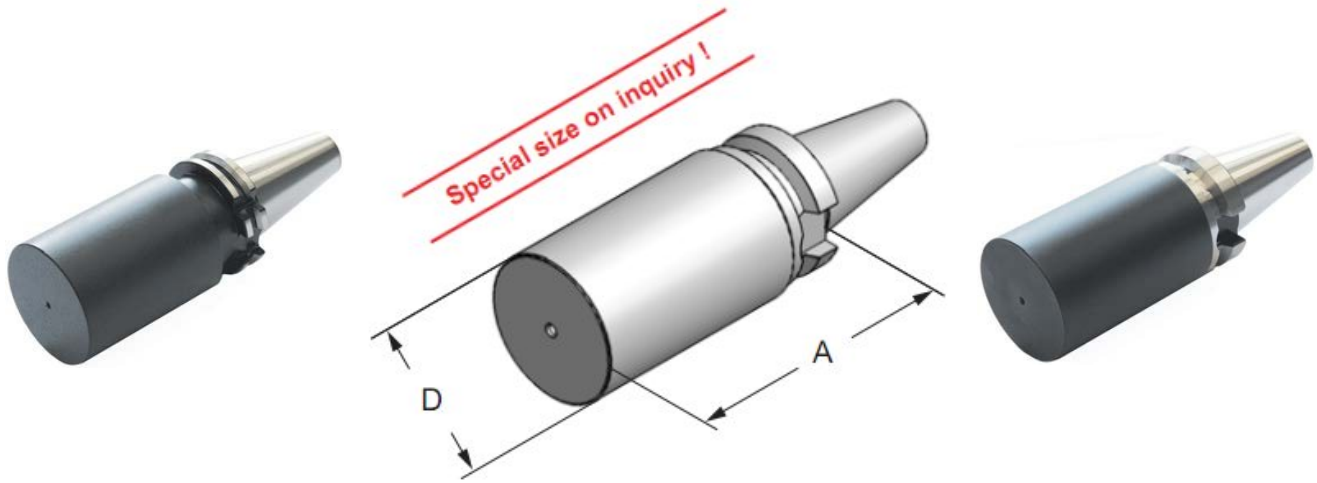


MAS BT

Art.-Nr.	Type	A	D
30.05.200-2	BT30xø30x200	200	30

We reserve the right to make technical changes.

Blanks



DIN 69871

MAS BT

Art.-Nr.	Type	A	D	Art.-Nr.	Type	A	D
30.01.150.15	SK30xø54x150	150	54	30.05.200.15	BT30xø49x200	200	49
40.01.250.15	SK40xø64x250	250	64	40.05.250.15	BT40xø64x250	250	64

We reserve the right to make technical changes.