

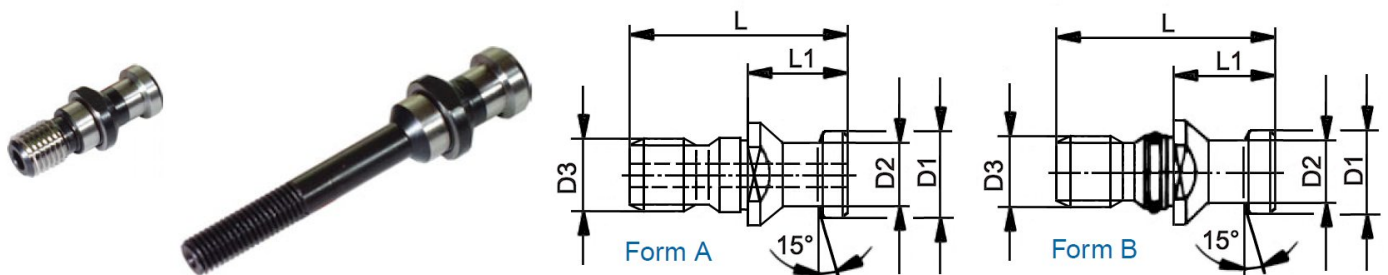
## Retention knobs

### Retention knobs DIN 2080



Art.-Nr.	Type	D1	D2	D3	L	L1	Art.-Nr.	Type	D1	D2	D3	L	L1
40.16.14	DIN 2080	25.3	21.0	M16	53	25.1	50.24.14	DIN 2080	39.6	32.0	M24	65	25.1
40.16.142	DIN 2080-MK2	25.3	21.0	M10	100	25.1	50.24.142	DIN 2080-MK2	39.6	32.0	M10	145	25.1
40.16.143	DIN 2080-MK3	25.3	21.0	M12	103	25.1	50.24.143	DIN 2080-MK3	39.6	32.0	M12	135	25.1
40.16.144	DIN 2080-MK4	25.3	21.0	M16	115	25.1	50.24.144	DIN 2080-MK4	39.6	32.0	M16	135	25.1
							50.24.145	DIN 2080-MK5	39.6	32.0	M20	135	25.1

### Retention knobs DIN 69872

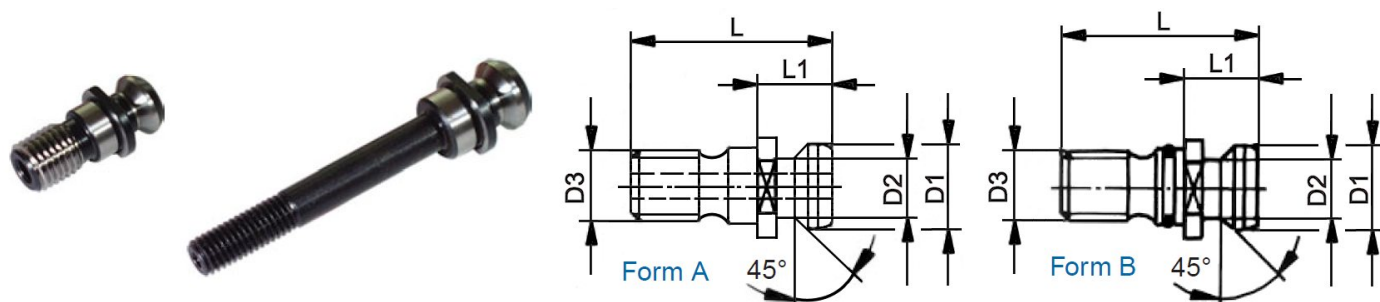


Art.-Nr.	Type	D1	D2	D3	L	L1	Art.-Nr.	Type	D1	D2	D3	L	L1
30.12.1	DIN 69872-A	13.0	9.0	M12	44	24	30.12.102	DIN 69872-MK2	13.0	9.0	M10	90	24
40.16.1	DIN 69872-A	19.0	14.0	M16	54	26	30.12.103	DIN 69872-MK3	13.0	9.0	M12	95	24
50.24.1	DIN 69872-A	28.0	21.0	M24	74	34	40.16.102	DIN 69872-MK2	19.0	14.0	M10	101	26
30.12.11	DIN 69872-B	13.0	9.0	M12	44	24	40.16.103	DIN 69872-MK3	19.0	14.0	M12	104	26
40.16.11	DIN 69872-B	19.0	14.0	M16	54	26	40.16.104	DIN 69872-MK4	19.0	14.0	M16	116	26
50.24.11	DIN 69872-B	28.0	21.0	M24	74	34	50.24.102	DIN 69872-MK2	28.0	21.0	M10	154	34
							50.24.103	DIN 69872-MK3	28.0	21.0	M12	144	34
40.16.15	DIN 69872-A	19.0	14.0	M16	54	29	50.24.104	DIN 69872-MK4	28.0	21.0	M16	144	34
							50.24.105	DIN 69872-MK5	28.0	21.0	M20	144	34

We reserve the right to make technical changes.

## Retention knobs

### Retention knobs ISO 7388



Art.-Nr.	Type	D1	D2	D3	L	L1	Art.-Nr.	Type	D1	D2	D3	L	L1
40.16.12	ISO 7388-A	18.9	12.9	M16	44.5	16.4	40.16.122	ISO 7388-MK2	18.9	12.9	M10	91	16.4
50.24.12	ISO 7388-A	29.1	19.6	M24	65.5	25.5	40.16.123	ISO 7388-MK3	18.9	12.9	M12	94	16.4
							40.16.124	ISO 7388-MK4	18.9	12.9	M16	104	16.4
40.16.13	ISO 7388-B	18.9	12.9	M16	44.5	16.4	50.24.122	ISO 7388-MK2	29.1	19.6	M10	145	25.5
50.24.13	ISO 7388-B	29.1	19.6	M24	65.5	25.5	50.24.123	ISO 7388-MK3	29.1	19.6	M12	135	25.5
							50.24.124	ISO 7388-MK4	29.1	19.6	M16	135	25.5
							50.24.125	ISO 7388-MK5	29.1	19.6	M20	135	25.5

### Retention knobs MAS BT45°/60°/90°



Art.-Nr.	Type	D1	D2	D3	L	L1	Art.-Nr.	Type	D1	D2	D3	L	L1
30.12.4	BT30x45°	11.0	7.0	M12	43	23	40.16.402	BT40x45°-MK2	15.0	10.0	M10	110	35
30.12.41	BT30x60°	11.0	7.0	M12	43	23	40.16.403	BT40x45°-MK3	15.0	10.0	M12	113	35
40.16.4	BT40x45°	15.0	10.0	M16	60	35	40.16.404	BT40x45°-MK4	15.0	10.0	M16	125	35
40.16.41	BT40x60°	15.0	10.0	M16	60	35	40.16.412	BT40x60°-MK2	15.0	10.0	M10	110	35
40.16.42	BT40x90°	15.0	10.0	M16	60	35	40.16.413	BT40x60°-MK3	15.0	10.0	M12	113	35
50.24.4	BT50x45°	23.0	17.0	M24	85	45	40.16.414	BT40x60°-MK4	15.0	10.0	M16	125	35
50.24.41	BT50x60°	23.0	17.0	M24	85	45	50.24.402	BT50x45°-MK2	23.0	17.0	M10	165	45
50.24.42	BT50x90°	23.0	17.0	M24	85	45	50.24.403	BT50x45°-MK3	23.0	17.0	M12	155	45
40.16.4-C	BT40x45° i.K.	15.0	10.0	M16	60	35	50.24.404	BT50x45°-MK4	23.0	17.0	M16	155	45
50.24.4-C	BT50x45° i.K.	23.0	17.0	M24	85	45	50.24.405	BT50x45°-MK5	23.0	17.0	M20	155	45

We reserve the right to make technical changes.