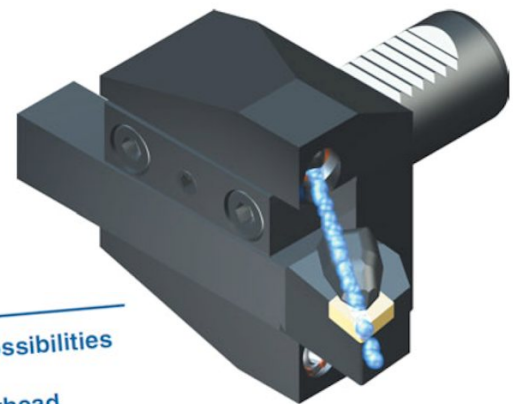
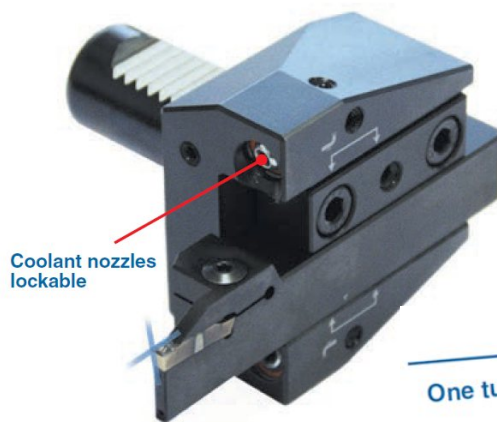


Toolholders for CNC machines DIN 69880 / DIN ISO 10889

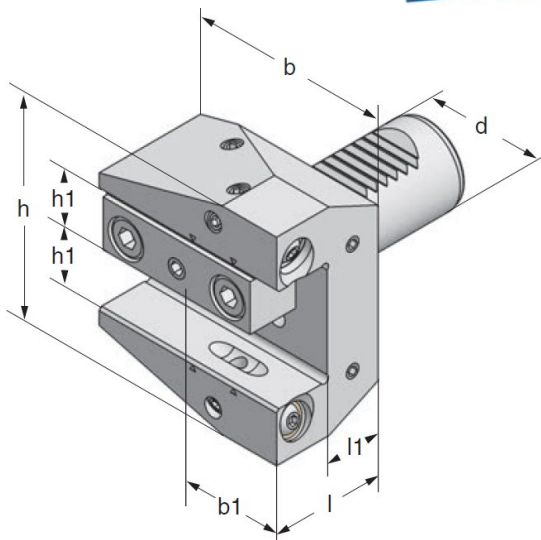
Radial toolholders form B1-B4 with internal coolant

- for clamping holders with coolant channels **directly to the cutting edge**
- for ISO-clamping holders **with claw clamping for best possible coolant supply**
- **with double tooling / coolant pressure up to 100 bar**

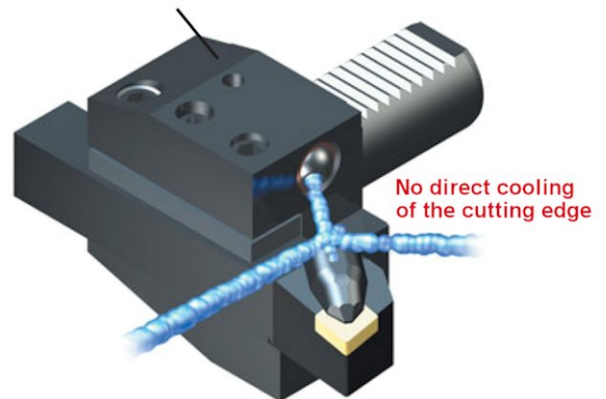
Delivery without tool



One turning-toolholder - four possibilities
Form B1, B2, B3, B4
left - right - forehead - overhead



Standard DIN ISO



Art.-Nr.	Type	d	b	b1	h	h1	l	l1
30.20.063	B1-B4-30Dx20x40	30	70	35.0	78	20	40	20
40.25.063	B1-B4-40Dx25x47	40	85	42.5	94	25	47	22
50.25.063	B1-B4-50Dx25x55	50	98	49.0	120	25	55	30

We reserve the right to make technical changes.