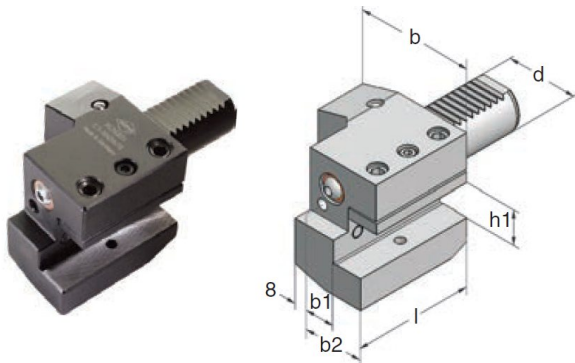


Toolholders for CNC machines DIN 69880 / DIN ISO 10889

Axial toolholders form C1

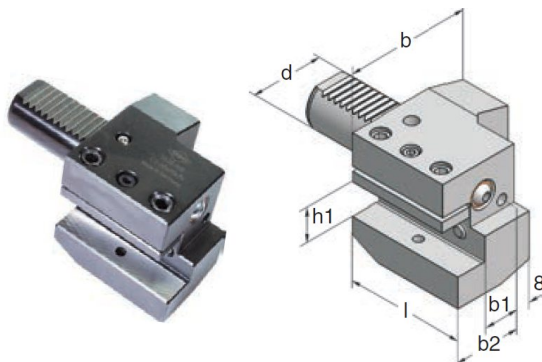
Coolant supply external



Art.-Nr.	Type	d	b	b1	b2	h1	l
16.12.020	C1-16x12x 44	16	43	13.0	25	12	44
20.16.020	C1-20x16x 50	20	65	25.5	40	16	50
25.20.020	C1-25x20x 55	25	58	15.0	33	20	55
25.25.020	C1-25x25x 75	25	65	18.5	40	25	75
30.20.020	C1-30x20x 70	30	70	17.0	35	20	70
30.25.021	C1/C4-30x25x70*	30	77	21.0	43	25	70
40.25.020	C1-40x25x 85	40	85	20.5	42.5	25	85
50.32.020	C1-50x32x100	50	100	25.5	50	32	100
60.32.020	C1-60x32x125	60	125	32.5	62.5	32	125
* Double toolthing							
INCH							
303206	C1-30x3/4"x 70	30	70	17.0	35	3/4"	70
403206	C1-40x1" x 85	40	85	20.5	42.5	1"	85

Axial toolholders form C2

Coolant supply external

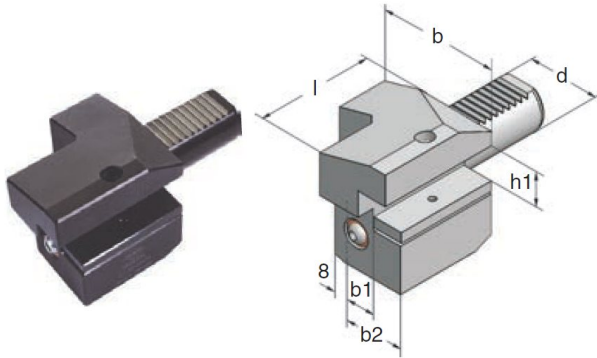


Art.-Nr.	Type	d	b	b1	b2	h1	l
16.12.050	C2-16x12x 44	16	43	13.0	25	12	44
20.16.050	C2-20x16x 50	20	65	25.5	40	16	50
25.20.050	C2-25x20x 55	25	58	19.0	37	20	55
25.25.050	C2-25x25x 75	25	65	18.5	40	25	75
30.20.050	C2-30x20x 70	30	73	21.0	39	20	70
30.25.051	C2/C3-30x25x70*	30	77	21.0	43	25	70
40.25.050	C2-40x25x 85	40	88	25.5	47.5	25	85
50.32.050	C2-50x32x100	50	105	30.0	55	32	100
60.32.050	C2-60x32x125	60	125	32.5	62.5	32	125
* Double toolthing							
INCH							
304206	C2-30x3/4"x 70	30	73	21.0	39	3/4"	70
404206	C2-40x1" x 85	40	88	25.5	47.5	1"	85

We reserve the right to make technical changes.

Axial toolholders form C3

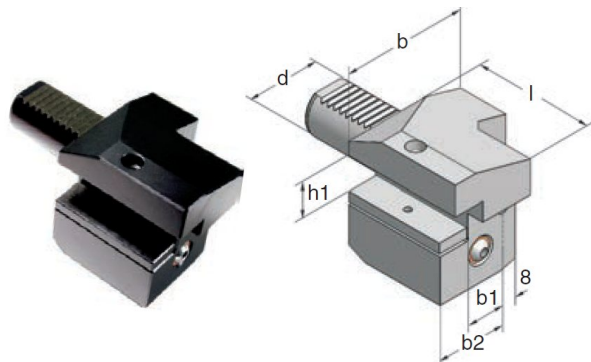
Coolant supply external



Art.-Nr.	Type	d	b	b1	b2	h1	l
16.12.030	C3-16x12x 44	16	43	13.0	25	12	44
20.16.030	C3-20x16x 50	20	65	25.5	40	16	50
25.20.030	C3-25x20x 55	25	58	15.0	33	20	55
25.25.030	C3-25x25x 75	25	65	18.5	40	25	75
30.20.030	C3-30x20x 70	30	70	17.0	35	20	70
30.25.051	C2/C3-30x25x70*	30	77	21.0	43	25	70
40.25.030	C3-40x25x 85	40	85	20.5	42.5	25	85
50.32.030	C3-50x32x100	50	100	25.5	50	32	100
60.32.030	C3-60x32x125	60	125	32.5	62.5	32	125
* Double toothting							
INCH							
305206	C3-30x3/4"x 70	30	70	20.5	35	3/4"	70
405206	C3-40x1" x 85	40	85	25.5	42.5	1"	85

Axial toolholders form C4

Coolant supply external



Art.-Nr.	Type	d	b	b1	b2	h1	l
16.12.040	C4-16x12x 44	16	43	13.0	25	12	44
20.16.040	C4-20x16x 50	20	65	25.5	40	16	50
25.20.040	C4-25x20x 55	25	62	19.0	37	20	55
25.25.040	C4-25x25x 75	25	65	18.5	40	25	75
30.20.040	C4-30x20x 70	30	73	23.0	41	20	70
30.25.021	C1/C4-30x25x70*	30	77	21.0	43	25	70
40.25.040	C4-40x25x 85	40	88	25.5	47.5	25	85
50.32.040	C4-50x32x100	50	105	30.0	55	32	100
60.32.040	C4-60x32x125	60	125	32.5	62.5	32	125
* Double toothting							
INCH							
306206	C4-30x3/4"x 70	30	73	23.0	41	3/4"	70
406206	C4-40x1" x 85	40	88	25.5	47.5	1"	85

We reserve the right to make technical changes.