

Toolholders for CNC machines DIN 69880 / DIN ISO 10889

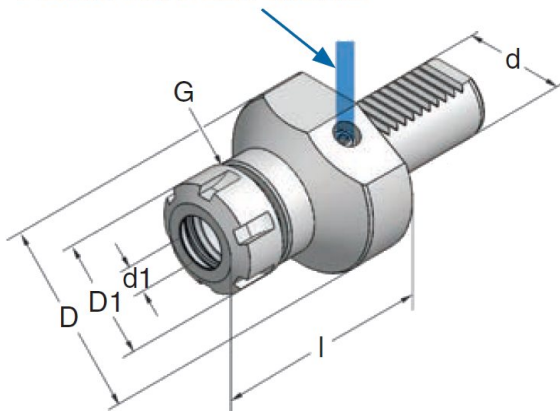
Collet chucks form E4 for collets ER DIN 6499 / ISO 15488

Coolant supply internal



VDI 30, 40, 50, 60

Coolant connection external



Art.-Nr.	Type	d	d1	D	D1	l	G
16.10.330	E4-16xER16x50	16	1-10	40	28	50	M22x1.50
16.16.330	E4-16xER25x50	16	1-16	40	42	50	M32x1.50
20.10.330	E4-20xER16x55	20	1-10	50	28	55	M22x1.50
20.16.330	E4-20xER25x55	20	1-16	50	42	55	M32x1.50
20.20.330	E4-20xER32x55	20	2-20	50	50	55	M40x1.50
25.16.330	E4-25xER25x55	25	1-16	58	42	55	M32x1.50
25.20.330	E4-25xER32x55	25	2-20	58	50	55	M40x1.50
30.16.330	E4-30xER25x75	30	1-16	68	42	75	M32x1.50
30.16.331	E4-30xER25x55	30	1-16	68	42	55	M32x1.50
30.20.330	E4-30xER32x75	30	2-20	68	50	75	M40x1.50
30.20.331	E4-30xER32x55	30	2-20	68	50	55	M40x1.50
30.26.330	E4-30xER40x75	30	3-30	68	63	75	M50x1.50
40.13.330	E4-40xER20x75	40	1-13	83	34	75	M25x1.50
40.16.330	E4-40xER25x75	40	1-16	83	42	75	M32x1.50
40.20.330	E4-40xER32x75	40	2-20	83	50	75	M40x1.50
40.26.330	E4-40xER40x75	40	3-30	83	63	75	M50x1.50
50.20.330	E4-50xER32x90	50	2-20	98	50	90	M40x1.50
50.26.330	E4-50xER40x90	50	3-30	98	63	90	M50x1.50
50.34.330	E4-50xER50x90	50	6-34	98	78	90	M64x2.00
60.26.330	E4-60xER40x90	60	3-30	123	63	90	M50x1.50
60.34.330	E4-60xER50x99	60	6-34	123	78	99	M64x2.00

We reserve the right to make technical changes.

Collet chucks form E3 for collets DIN 6388 / ISO 10897

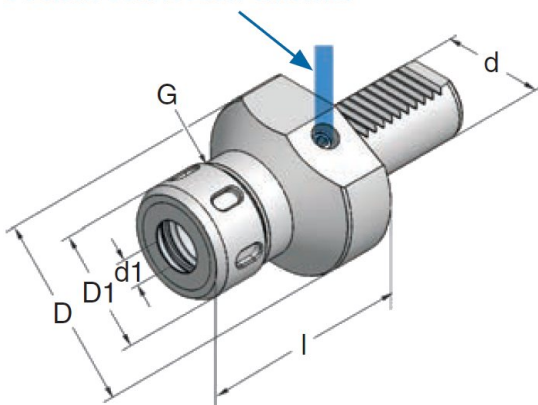
Coolant supply internal



Art.-Nr.	Type	d	d1	D	D1	l	G
20.16.320	E3-20x1-16x55	20	2-16	50	40	55	M33x1.50
30.25.320	E3-30x2-25x75	30	2-25	68	60	75	M48x2.00
40.25.320	E3-40x2-25x75	40	2-25	83	60	75	M48x2.00
40.32.320	E3-40x4-32x90	40	4-32	83	72	90	M60x2.50
50.32.320	E3-50x4-32x90	50	4-32	98	72	90	M60x2.50
60.32.320	E3-60x4-32x90	60	4-32	123	72	90	M60x2.50

VDI 30, 40, 50, 60

Coolant connection external



We reserve the right to make technical changes.