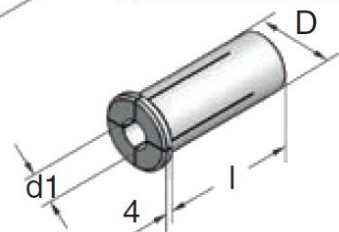
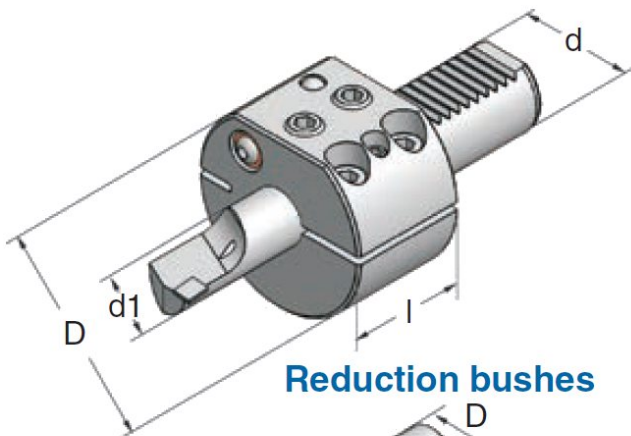


**Toolholders for CNC machines DIN 69880 / DIN ISO 10889**

**Boring bar holders slotted**

Coolant supply internal + external



**l1 = drill depth**

Art.-Nr.	Type	d	d1	D	l	l1
30.16.230	E2-30x16x42	30	16	68	42	88
30.20.230	E2-30x20x42	30	20	68	42	88
40.16.230	E2-40x16x46	40	16	83	46	100
40.20.230	E2-40x20x46	40	20	83	46	100
40.25.230	E2-40x25x46	40	25	83	46	100
40.32.230	E2-40x32x90	40	32	83	90	83
50.16.230	E2-50x16x55	50	16	98	55	125
50.20.230	E2-50x20x55	50	20	98	55	125
50.25.230	E2-50x25x55	50	25	98	55	125
50.32.230	E2-50x32x55	50	32	98	55	125
60.25.230	E2-60x25x60	60	25	123	60	145
60.32.230	E2-60x32x60	60	32	123	60	145
60.40.230	E2-60x40x60	60	40	123	60	145
203201	Reduction		8	20	51	
203202	Reduction		10	20	51	
203203	Reduction		12	20	51	
203205	Reduction		16	20	51	

We reserve the right to make technical changes.