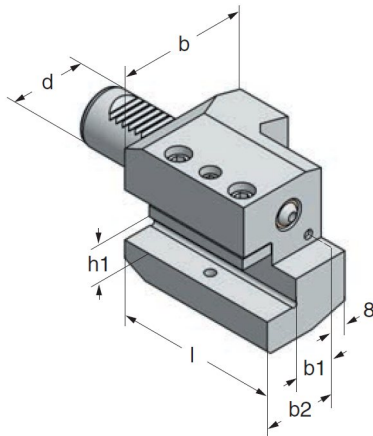
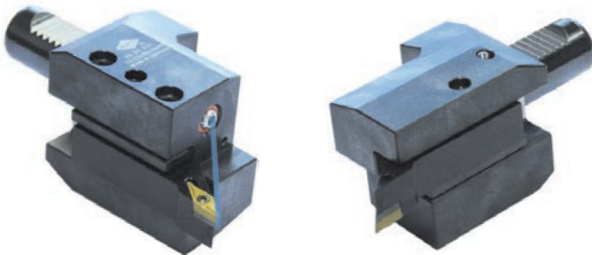


Toolholders for star-turret DIN 69880 / DIN ISO 10889

Turning toolholders form C2 / C3

Double toolthing

Delivery without tool

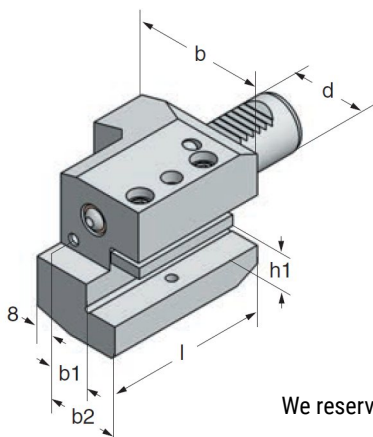


Art.-Nr.	Type	d	b	b1	b2	h1	l
25.20.031	VDI25D-C2/C3	25	62	19	37	20	55
30.20.031	VDI30D-C2/C3	30	78	26	44	20	90
40.25.031	VDI40D-C2/C3	40	90	25.5	47.5	25	85

Turning toolholders form C1 / C4

Double toolthing

Delivery without tool



Art.-Nr.	Type	d	b	b1	b2	h1	l
25.20.041	VDI25D-C1/C4	25	62	19	37	20	55
30.20.041	VDI30D-C1/C4	30	78	26	44	20	90
30.25.041	VDI30D-C1/C4	30	73	19	41	25	90
40.25.041	VDI40D-C1/C4	40	90	25.5	47.5	25	85
INCH							
310208	VDI30D-C1/C4	30	79	23	45	1"	90

We reserve the right to make technical changes.