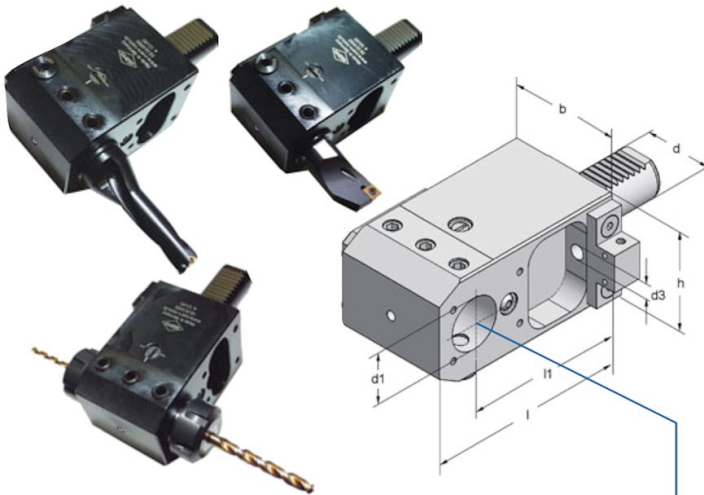


Toolholders for star-turret DIN 69880 / DIN ISO 10889

VDI 30 Combi toolholders

Coolant supply internal + external

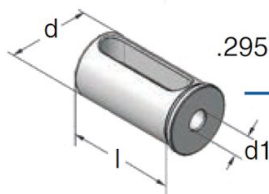
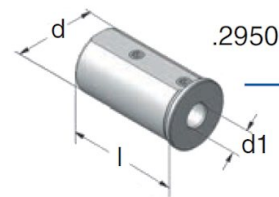


Art.-Nr.	Type	d	d1	b	h	l	l1	d3
30.32.0085	VDI30x32x 85	30	32	70	64	110	85	9
30.32.0100	VDI30x32x100	30	32	70	64	125	100	9
30.32.0120	VDI30x32x120	30	32	70	64	145	120	9
HARDINGE								
30.32.0070	VDI30x32x70	30	32	70	64	101	70	
30.40.0070	VDI30x40x70	30	40	70	72	105	70	
INCH-sizes on inquiry								

Stop left and right mountable

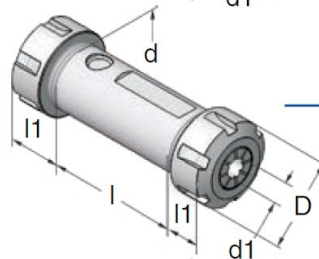
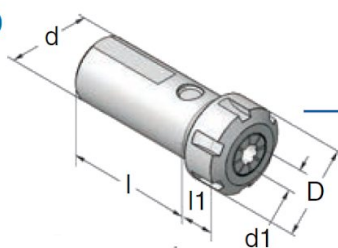
Delivery without tool

Reduction bushes



Art.-Nr.	d	d1	l
32.06.2950	32	6	60
32.08.2950	32	8	60
32.10.2950	32	10	60
32.12.295	32	12	60
32.14.295	32	14	60
32.16.295	32	16	60
32.18.295	32	18	60
32.20.295	32	20	60
32.25.295	32	25	60

Collet chuck DIN 6499



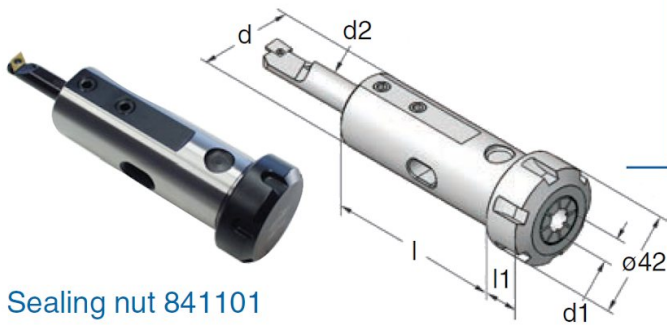
Art.-Nr.	Type	d	d1	D	l	l1
820101	ER 25	32	2-16 430E	42	58	21-25
836101	ER 32	32	2-20 470E	50	58	31-55

Art.-Nr.	Type	d	d1	D	l	l1
822101	ER 25	32	2-16 430E	42	70	21-25

We reserve the right to make technical changes.

Toolholders for star-turret DIN 69880 / DIN ISO 10889

Collet chuck DIN 6499/430E with cyl. adaptor for boring bars $\varnothing 6-16\text{mm}$



Art.-Nr.	Type	d	d1	d2	l	l1
830101	ER 25	32	2-16 430E	6	85	21-25
831101	ER 25	32	2-16 430E	8	85	21-25
832101	ER 25	32	2-16 430E	10	85	21-25
833101	ER 25	32	2-16 430E	12	85	21-25
834101	ER 25	32	2-16 430E	14	85	21-25
835101	ER 25	32	2-16 430E	16	85	21-25
841101	Sealing nut ER25					

We reserve the right to make technical changes.