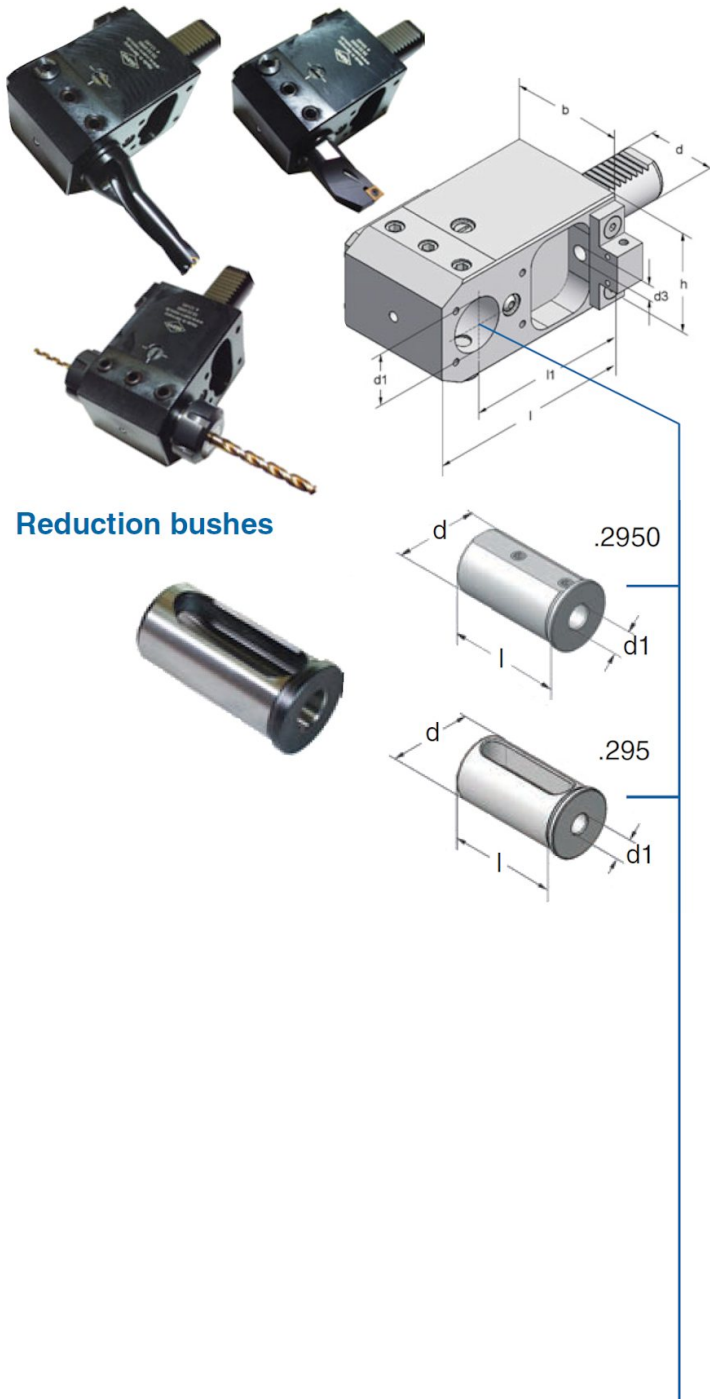


## Toolholders for star-turret DIN 69880 / DIN ISO 10889

### VDI 40 Combi toolholders

Coolant supply internal + external



Art.-Nr.	Type	d	d1	b	h	l	l1	d3
40.25.0100	VDI40x25x100	40	25	85	76	122	100	11
40.32.0100	VDI40x32x100	40	32	85	76	125	100	11
40.40.0100	VDI40x40x100	40	40	85	76	129	100	11
40.25.0120	VDI40x25x120	40	25	85	76	142	120	11
40.32.0120	VDI40x32x120	40	32	85	76	145	120	11
40.40.0120	VDI40x40x120	40	40	85	76	149	120	11
<b>INCH-sizes on inquiry</b>								

Stop left and right mountable

Delivery without tool

Art.-Nr.	d	d1	l
32.06.2950	32	6	60
32.08.2950	32	8	60
32.10.2950	32	10	60
32.12.295	32	12	60
32.14.295	32	14	60
32.16.295	32	16	60
32.18.295	32	18	60
32.20.295	32	20	60
32.25.295	32	25	60
40.06.2950	40	6	72
40.08.2950	40	8	72
40.10.2950	40	10	72
40.12.2950	40	12	72
40.14.295	40	14	72
40.16.295	40	16	72
40.18.295	40	18	72
40.20.295	40	20	72
40.25.295	40	25	72
40.32.295	40	32	72

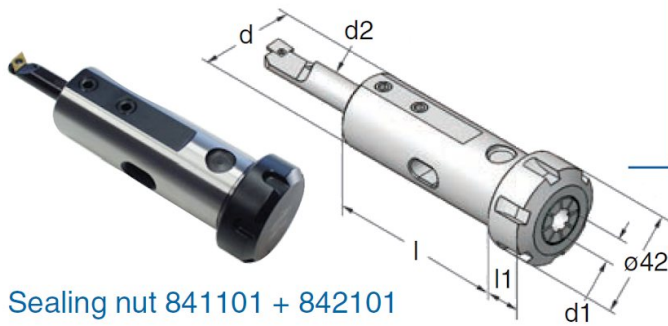
We reserve the right to make technical changes.

# Toolholders for star-turret DIN 69880 / DIN ISO 10889

Collet chuck DIN 6499



Collet chuck DIN 6499/430E with cyl. adaptor for boring bars ø6-16mm



Sealing nut 841101 + 842101

Art.-Nr.	Type	d	d1	D	l	l1
820101	ER 25	32	2-16 430E	42	58	21-25
836101	ER 32	32	2-20 470E	50	58	31-55
117102	ER 32	40	2-20 470E	50	64	24-29

Art.-Nr.	Type	d	d1	D	l	l1
823101	ER 25	32	2-16 430E	42	85	21-25
824101	ER 32	40	2-20 470E	50	85	24-29

Art.-Nr.	Type	d	d1	d2	l	l1
830101	ER 25	32	2-16 430E	6	85	21-25
831101	ER 25	32	2-16 430E	8	85	21-25
832101	ER 25	32	2-16 430E	10	85	21-25
833101	ER 25	32	2-16 430E	12	85	21-25
834101	ER 25	32	2-16 430E	14	85	21-25
835101	ER 25	32	2-16 430E	16	85	21-25
841101	Sealing nut ER25					

We reserve the right to make technical changes.