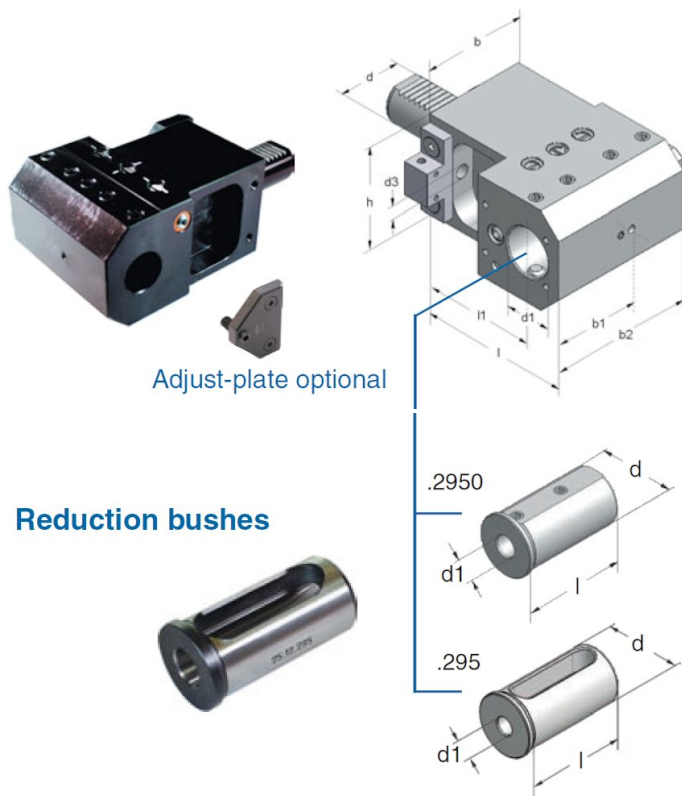


Toolholders for star-turret DIN 69880 / DIN ISO 10889

VDI 30 VDI 40 Combi toolholders

Coolant supply internal + external



Art.-Nr.	Type	d	d1	b	b1	b2	h	l	l1	d3
30.32.00853	VDI30x32x 85	30	32	70	57.5	98	68	110	85	9
30.32.0103	VDI30x32x100	30	32	70	57.5	98	68	125	100	9
30.32.0123	VDI30x32x120	30	32	70	57.5	98	68	145	120	9
40.32.0103	VDI40Dx32x100*	40	32	85	77.5	120	76	129	100	11
40.32.0123	VDI40Dx32x120*	40	32	85	77.5	120	76	149	120	11

* Double tothing

Stop left and right mountable

Art.-Nr.	d	d1	l
32.06.2950	32	6	60
32.08.2950	32	8	60
32.10.2950	32	10	60
32.12.295	32	12	60
32.14.295	32	14	60
32.16.295	32	16	60
32.18.295	32	18	60
32.20.295	32	20	60
32.25.295	32	25	60

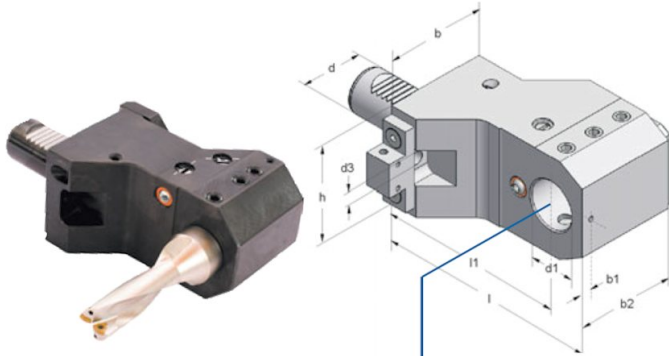
We reserve the right to make technical changes.

Toolholders for star-turret DIN 69880 / DIN ISO 10889

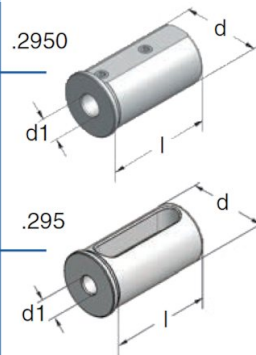
VDI 30 VDI 40

Combi toolholders set back

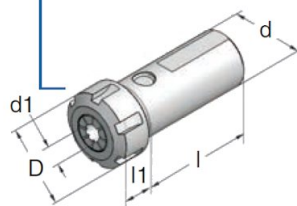
Coolant supply internal + external



Reduction bushes



Collet chuck DIN 6499



Art.-Nr.	Type	d	d1	b	b1	b2	h	l	l1	d3
30.32.00085	VDI30Dx32x 85	30	32	70	7	69	68	110	85	9
30.30.00100	VDI30Dx30x100	30	30	70	7	69	68	125	100	9
30.32.00100	VDI30Dx32x100	30	32	70	7	69	68	125	100	9
30.40.00100	VDI30Dx40x100	30	40	70	7	69	68	129	100	9
40.40.00100	VDI40Dx40x100	40	40	85	7	75	76	129	100	11
40.40.00120	VDI40Dx40x120	40	40	85	7	75	76	149	120	11

Double tooling

Stop left and right mountable

Delivery without tool

Art.-Nr.	d	d1	l
32.06.2950	32	6	60
32.08.2950	32	8	60
32.10.2950	32	10	60
32.12.295	32	12	60
32.14.295	32	14	60
32.16.295	32	16	60
32.18.295	32	18	60
32.20.295	32	20	60
32.25.295	32	25	60
40.06.2950	40	6	72
40.08.2950	40	8	72
40.10.2950	40	10	72
40.12.2950	40	12	72
40.14.295	40	14	72
40.16.295	40	16	72
40.18.295	40	18	72
40.20.295	40	20	72
40.25.295	40	25	72
40.32.295	40	32	72

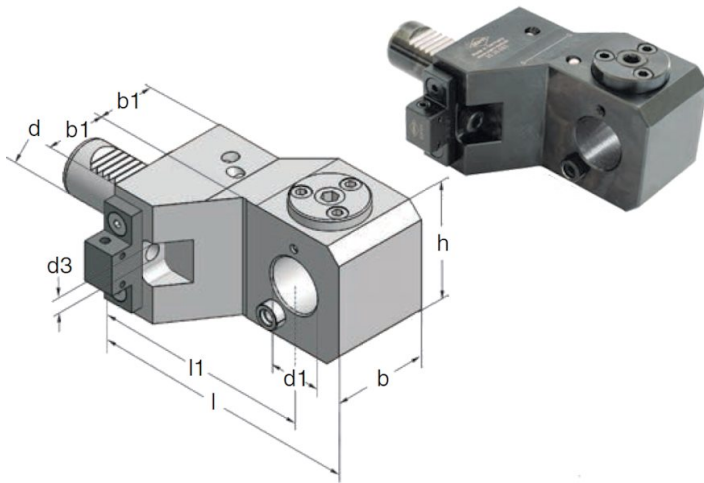
Art.-Nr.	Type	d	d1	D	l	l1	
820101	ER 25	32	2-16	430E	42	58	21-25
836101	ER 32	32	2-20	470E	50	58	31-35
117102	ER 32	40	2-20	470E	50	64	24-29

We reserve the right to make technical changes.

Toolholders for star-turret DIN 69880 / DIN ISO 10889

Adapter for VDI 30 + VDI 40

Double tooling

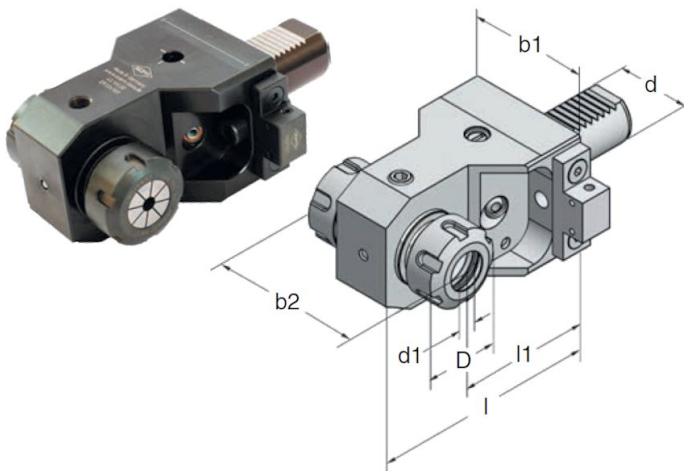


Art.-Nr.	Type	d	d1	b	b1	h	l	l1	d3
30.30.070	VDI30Dx30x 70	30	30	55	35	68	100	70	9
30.30.085	VDI30Dx30x 85	30	30	55	35	68	115	85	9
30.30.100	VDI30Dx30x100	30	30	55	35	68	130	100	9
40.40.100	VDI40Dx40x100	40	40	63	42.5	85	135	100	11
40.40.120	VDI40Dx40x120	40	40	63	42.5	85	155	120	11

Stop left and right mountable

Double-collet chuck toolholder VDI 30 + VDI 40

Coolant supply internal + external



Art.-Nr.	Type	d	d1	D	b1	b2	l1	l
30.085.16	VDI30xER25x 85	30	1-16	42	70	88	85	110
40.100.20	VDI40xER32x100	40	2-20	50	85	104	100	129
841101	ER25 / Sealing nut							
842101	ER25 / Sealing nut							

Stop left and right mountable

We reserve the right to make technical changes.