

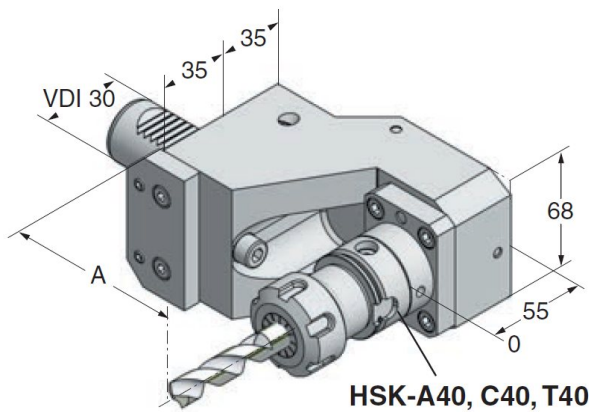
## VDI 30 with HSK-T40 clamping unit

### Toolholder VDI 30 with HSK-T40 clamping unit

Double tooling

Quick-change and pre-setting function

Delivery without HSK-toolholder



| Art.-Nr.   | Type             | A   |
|------------|------------------|-----|
| 30.T40.100 | VDI30DxHSK40x100 | 100 |
|            |                  |     |
|            |                  |     |

### HSK-toolholders

#### Chuck



40.11. . . . 2 ER16 - ER32

40.14. . . . 2 ER16 - ER32

#### Weldon



40.11. . . . 66  $\varnothing 6 - \varnothing 20$

#### Whistle Notch



40.11. . . . 65  $\varnothing 6 - \varnothing 16$

#### Shrink Fit Chucks



40.11. . . . 31  $\varnothing 3 - \varnothing 20$

40.11. . . . 37  $\varnothing 3 - \varnothing 16$

40 14 31  $\varnothing 6 - \varnothing 16$

#### Expansion Chucks



40.11. . . . 70  $\varnothing 6 - \varnothing 12$

We reserve the right to make technical changes.

# VDI 30 with HSK-T40 clamping unit

## Double-toolholder VDI 30 with HSK-T40 clamping unit

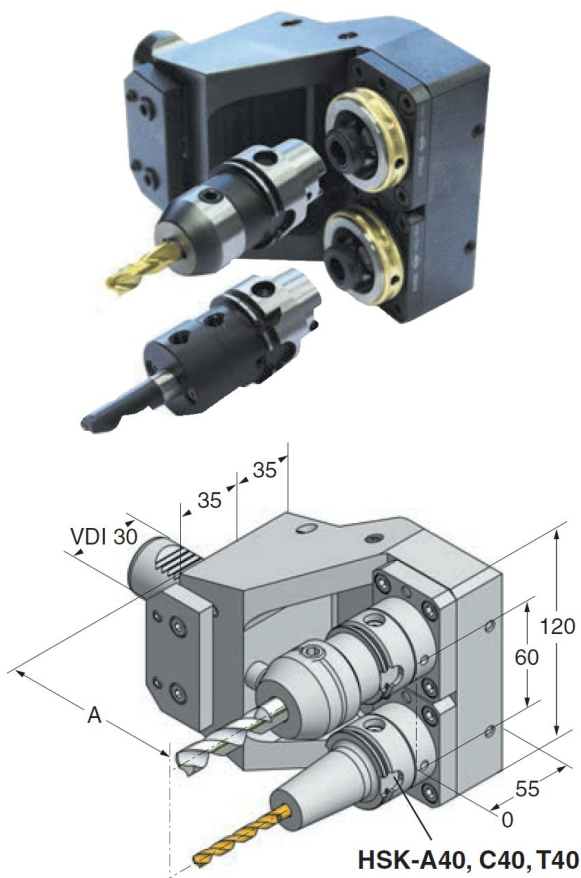
Double tooling

Quick-change and pre-setting function

Delivery without HSK-toolholder

| Art.-Nr.     | Type             | A   |
|--------------|------------------|-----|
| 30.T40.100-2 | VDI30DxHSK40x100 | 100 |
| 30.T40.115-2 | VDI30DxHSK40x115 | 115 |
| 30.T40.120-2 | VDI30DxHSK40x120 | 120 |
|              |                  |     |
|              |                  |     |

### HSK-toolholders



#### Chuck

40.11. . . . 2 ER16 - ER32

40.14. . . . 2 ER16 - ER32



#### Weldon

40.11. . . . 66  $\varnothing 6 - \varnothing 20$



#### Whistle Notch

40.11. . . . 65  $\varnothing 6 - \varnothing 16$



#### Shrink Fit Chucks

40.11. . . . 31  $\varnothing 3 - \varnothing 20$

40.11. . . . 37  $\varnothing 3 - \varnothing 16$

40.14. . . . 31  $\varnothing 6 - \varnothing 16$



#### Expansion Chucks

40.11. . . . 70  $\varnothing 6 - \varnothing 12$

We reserve the right to make technical changes.